

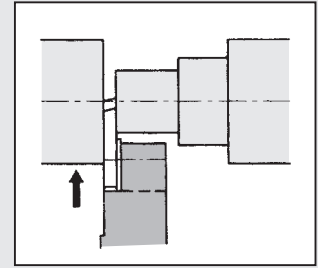
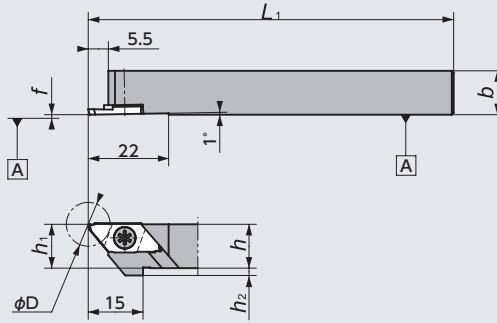
SS Tools for Cutting off

CTP Series Max. Cut-off Dia. ~ 12.0mm

Unique Swiss Tooling

CTP

Screw accessible from both sides

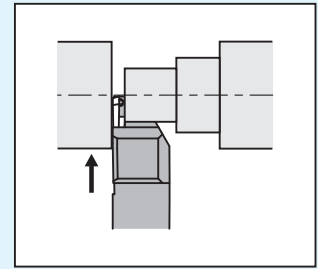
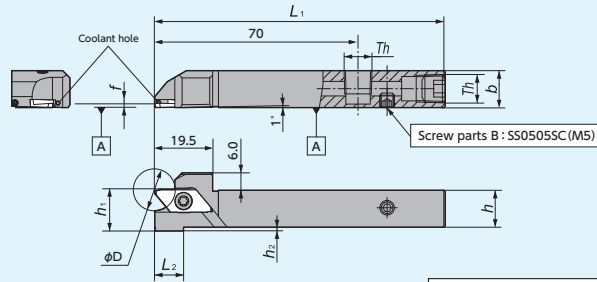


● Right-Hand style shown

Figure-1

CTP-OH2

(Coolant through)
Screw accessible from both sides



● Right-Hand style shown

Figure-2

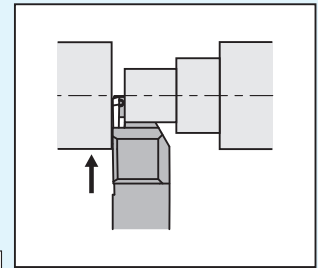
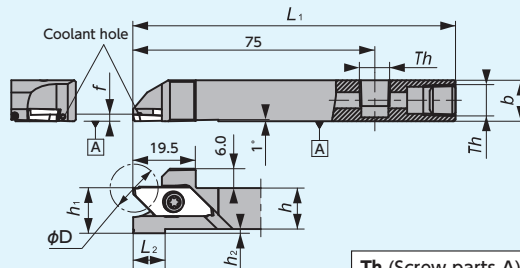
● Left-Hand holders are designed for Right-Hand machines

Th (Screw parts A)
1212 size: SPR1/8(Rc1/8)

Front Turning

CTP-OH

(Coolant through)
Screw accessible from both sides



● Right-Hand style shown

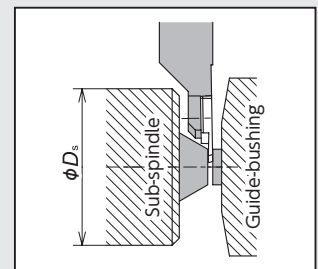
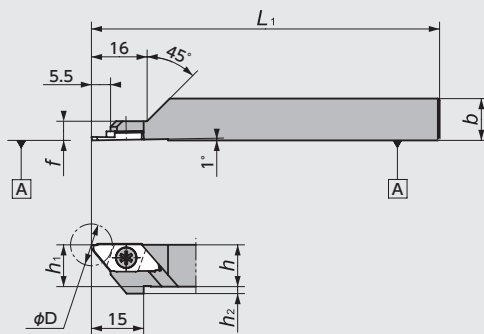
Figure-3

● Left-Hand holders are designed for Right-Hand machines

Th (Screw parts A)
1012 size: SS0605SC (M6×1.0)
1212/1616 size: SPR1/8(Rc1/8)

Back Turning

CTPR-SUB



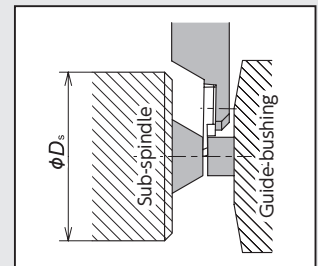
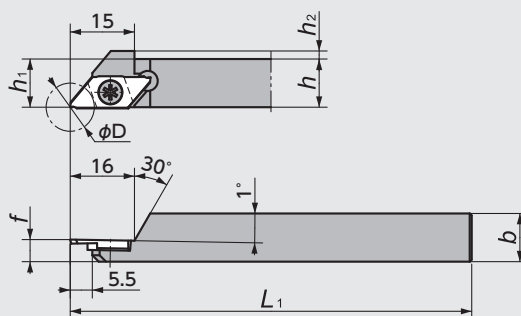
● Right-Hand style shown

Figure-4

φDs
CTPR-SUB: φ30mm

Cut-off

CTPL-SUB



● Left-Hand style shown

Figure-5

φDs
CTPL-SUB: φ30mm

Original Series

CTP Series - Inserts (Ground Chipbreaker : Strengthen edge with land style)

Shape	Item Number	*1 Max. Cut-off Dia (mm) ϕD	Dimensions (mm)				PVD Coated Carbide	
			w	A	*2 θ	r_ϵ	ZM3	Stock
<p>● Right-Hand style shown</p>	CTP15FRX	12.0	1.5	0.46	16°	0.05	5360847	●
	20FRX		2.0	0.61			5360839	●
	CTP15FRNX		1.5	—	0°		5360813	●
	20FRNX		2.0	—			5360821	●

※ 1 : Max. cut-off diameter shows when X end point is 0.0. For more information, see page G67.
 ※ 2 : All angles shown are obtained when insert is set in the holder.

CTP Series - Inserts (Ground Chipbreaker : Strengthen edge with land style)

Shape	Item Number	*1 Max. Cut-off Dia (mm) ϕD	Dimensions (mm)				PVD Coated Carbide	
			w	A	*2 θ	r_ϵ	ST4	Stock
<p>● Right-Hand style shown</p>	CTP10FR-TH	12.0	1.0	0.32	16°	0.05	5038823	●
	CTP15FR-TH		1.5	0.46			5040118	●
	CTP20FR-TH		2.0	0.61			5040167	●
	CTP10FRN-TH		1.0	—	0°		5038849	●
	CTP15FRN-TH		1.5	—			5040134	●
	CTP20FRN-TH		2.0	—			5040183	●
	CTP10FLK-TH	11.0	1.0	0.32	16°		5038856	●
	CTP15FLK-TH		1.5	0.46			5040142	●
	CTP20FLK-TH		2.0	0.61			5040191	●
	CTP10FLN-TH	12.0	1.0	—	0°		5038864	●
	CTP15FLN-TH		1.5	—			5040159	●
	CTP20FLN-TH		2.0	—			5040209	●

※ 1 : Max. cut-off diameter shows when X end point is 0.0. For more information, see page G67.
 ※ 2 : All angles shown are obtained when insert is set in the holder.

New Products
 Tool Materials / Selection Guide
 Micrograin Carbide, BIDEEMS, PCD, CBN and Ceramics
 PVD Coated Carbide
 Insert Item List
 General Turning Toolholders
 Unique Swiss Tooling
 Grooving / Side Turning
 Threading
 Shaper
 ID Tooling
 Application Introduction
 Endmills
 Rotating Tools
 Information
 Index