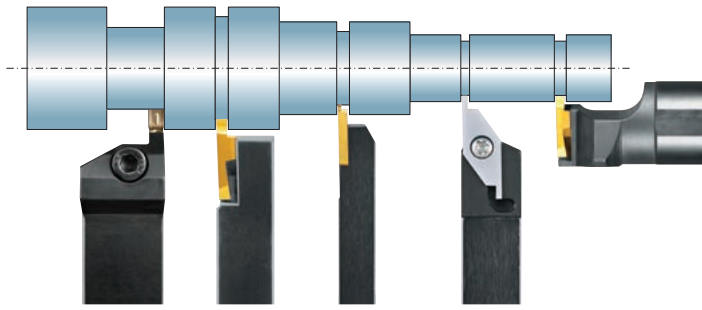


Grooving / Side-Turning

NTK Grooving / Side Turning Tools - Product Lines

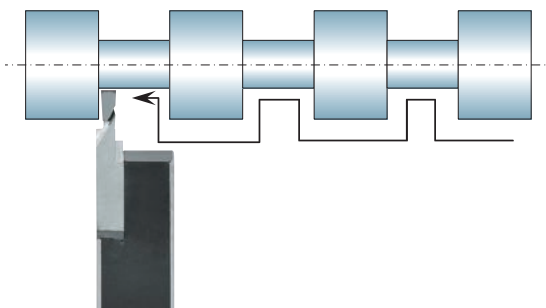


Insert	CSVG		GTPS
Holder	CSV	DS-CSV	CTPS
Blade width	.010" - .059" (0.25 - 1.50mm)		.030" - .079" (0.75 - 2.0mm)
Depth of cut	~.102" (~2.59mm)		~.098" (~2.50mm)

Insert	GTMH32 / GTMX32 / GTM32 / TMG32					
Holder	GTT	GTT-OH	Y-GTT	Y-GTT-OH	DS-GTT	CH-GTT
		Coolant through	Y-axis	Y-axis w/ Coolant through		
Blade width	.012" - .118" (0.3 - 3.0mm)					
Depth of cut	~.106" (~2.69mm)					

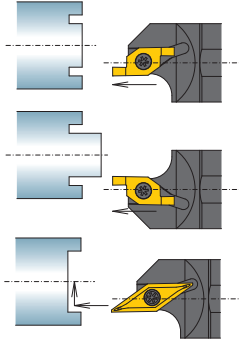
Insert	GWP	GTM43 / GTMA43 / GTMT43		TWG
Holder	GTWP	NGTN	NGTB	TWG
Blade width	.118" - .236" (3.0 - 5.9mm)	.039" - .216" (1.0 - 5.49mm)		.079" - .118" (2.0 - 3.0mm)
Depth of cut	~.354" (~9.0mm)	.177" (4.50mm)		~.118" (~3.0mm)

Multifunctional Grooving for non-ferrous material



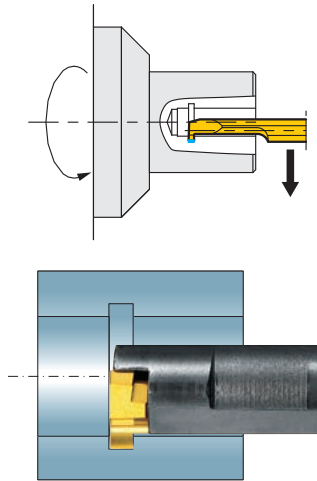
Insert	GTPA		
Holder	GTPA	Y-GTPA	Y-GTPA-OH
		Y-axis	Y-axis w/ Coolant through
Blade width	.079" - .098" (2.0 - 2.50mm)		
Depth of cut	~.236" (~6.0mm)		

■ Face Grooving



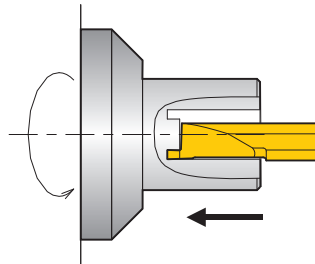
Insert	FGV	FBV	
Holder	FGV	DS-FGV	CH-FGV
Blade width	.039" - .079" (1.0mm - 2.0mm)		
Depth of cut	~.118" (~3.0mm)	FGV: ~.118" (~3.0mm) FBV: ~.157" (~4.0mm)	

■ ID Grooving



Insert	SBG	GTG
Holder	NBH	S-BG / BG
Blade width	.020" - .079" (0.5 - 2.0mm)	.020" - .079" (0.5 - 2.0mm)
Depth of cut	~.079" (~2.0mm)	~.118" (~3.0mm)

■ ID Face Grooving



Insert	SFG
Holder	NBH
Blade width	.039" - .118" (1.0 - 3.0mm)
Depth of cut	~.110" (~2.79mm)