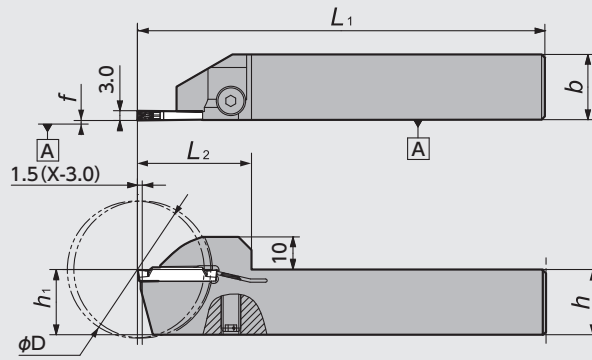


CTWP (CUT DUO EXTRA) Series Max. Cut-off Dia. ~ 42.0mm

CTWP

Screw accessible from both sides

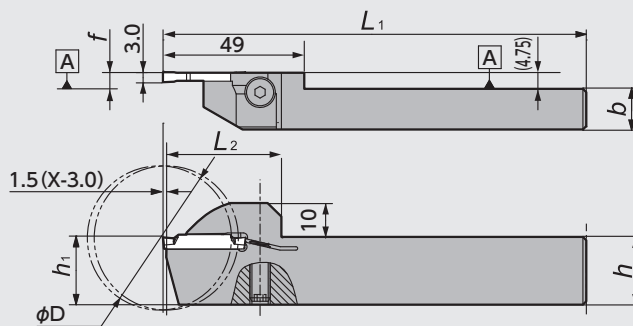


● Right-Hand style shown

Figure-1

CTWP-003

Screw accessible from both sides



● Left-Hand style shown

Figure-2

CTWP Series - Toolholders

Figure	Code No.		Item Number	Stock		Max. Cut-off Dia (mm) ϕD	Dimensions (mm)						Gage insert	Spare Parts	
	R	L		R	L		h	b	L_1	h_1	f	L_2		Clamp Screw	Wrench
1	5973912	5973920	CTWP _{R/L} 2012K-3D42	●	●	42	20	12	125	20	0.25	35			
	5973870	5973904	2020K-3D42	●	●		20	20							
	5973854	5973862	2525M-3D42	●	●		25	25	150	25					
2		5012976	CTWPL2012K-3D42-003		★		20	12	125	20	5	44			

※Do not tighten clamp screw without installing insert as it may damage the insert pocket.

CTWP Series - Inserts

Shape	Item Number	Dimensions (mm)					PVD Coated Carbide	
		w	r_e	M	L	S	DM4	Stock
	GWPFM300N02-GT	3.0	0.2	2.2	24.5	(4.2)	5963251	●
	GWPFM300N04-GT		0.4				5963269	●