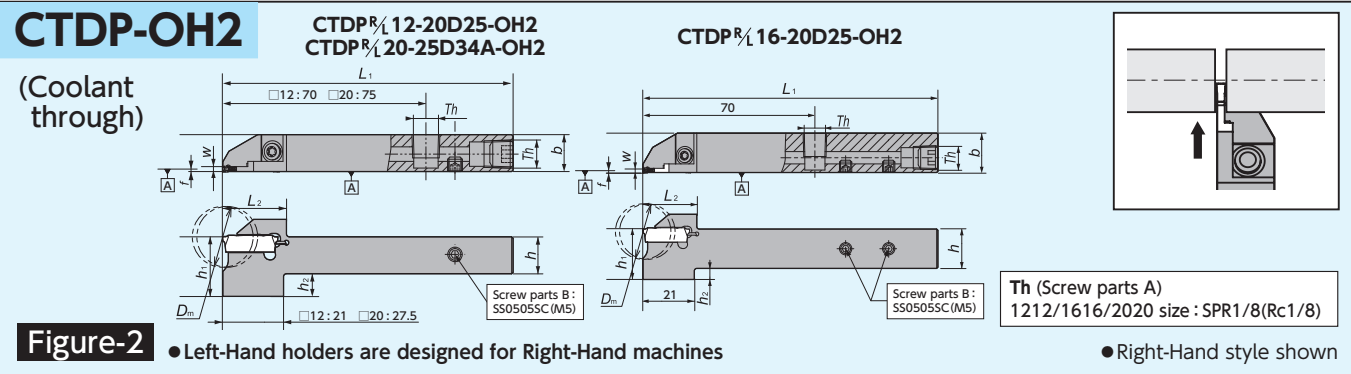
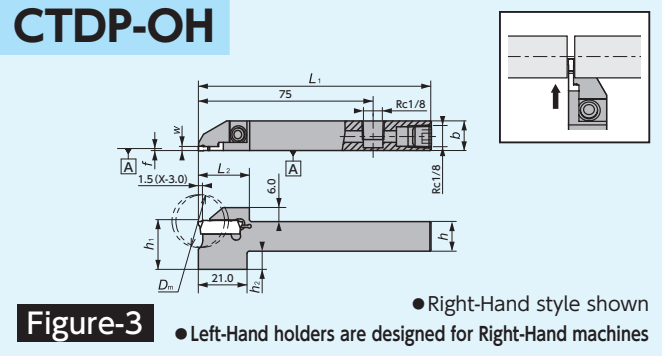
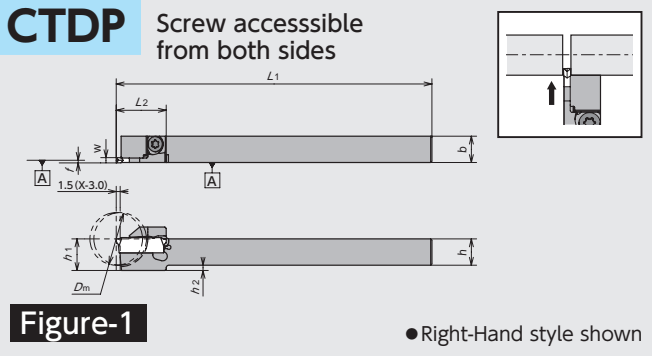


SS Tools for Cutting off

CTDP (Cut Duo) Series Max. Cut-off Dia. ~ 20.0, ~ 25.4, ~ 32.0, ~ 34.0mm



CTDP Series - Toolholders

Figure	Code No.		Item Number	Stock		Max. Cut-off Dia (mm) D _m	Dimensions (mm)							Gage insert	Spare Parts	
	R	L		R	L		w	h	b	L ₁	h ₁	h ₂	f		L ₂	Clamp Screw
1	5750534	5750559	CTDTP _{R/L} 10-20D20	●	●	20.0	2.0	10	10	120	10	2	0.15	CTDTP20	LRIS-4 * 12	LLR-25S
	5717087	5717079	12-20D20	●	●		2.0	12	12	120	12	0				
	5717103	5717095	12-20D25	●	●	25.4	2.0	12	12	120	12	0				
	5750567	5750575	16-20D25	●	●		2.0	16	16	120	16	0				
	5842299	5842307	16-20D32A	●	●	32.0	2.0	16	16	120	16	0				
	5842331	5842349	2012-20D32A	●	●		2.0	20	12	120	20	0				
	5842315	5842323	20-20D32A	●	●	34.0	2.0	20	20	120	20	0				
	5842356	5842364	16-25D34A	●	●		2.5	16	16	120	16	0				
	5842398	5842406	2012-25D34A	●	●	34.0	2.5	20	12	120	20	0				
	5842372	5842380	20-25D34A	●	●		2.5	20	20	120	20	0				
2	5037916	5037908	CTDTP _{R/L} 12-20D25-OH2	●	●	25.4	2.0	12	12	100	20.5	8.5	0.15	CTDTP20	LRIS-4 * 12	LLR-25S
	5043856	5043849	16-20D25-OH2	●	●		2.0	16	16	120	20.5	4.5				
	5043930	5043948	20-25D34A-OH2	●	●		2.5	20	20	120	24.0	4.0				
3	5972567	5972989	CTDTP _{R/L} 12-20D25-OH	●	●	25.4	2.0	12	12	100	20.5	8.5	0.15	CTDTP20	LRIS-4 * 12	LLR-25S
	5972575	5973003	16-20D25-OH	●	●		2.0	16	16	100	20.5	4.5				

*Do not tighten clamp screw without installing insert as it may damage the insert pocket.

CTDP Series - Inserts

Shape	Item Number	Dimensions (mm)				PVD Coated Carbide											
		w	L	θ	r _e	TM4	Stock	QM3	Stock	DM4	Stock						
	CTDTP20N	2.0	19.1	0°	0.05	5717012	●	5717004	●	5844972	●						
	20N02					5716998	●	5716980	●	5839352	●						
	20R6					5717038	●	5717020	●	5844956	●						
	20R15											5717061	●	5717046	●	5844964	●
	CTDTP25N											2.5	21.2	0°	0.05	5750682	●
	25N02					5750708	●	5750732	●	5846936	●						
25R6	5750740	●	5750757	●	5852694	●											
25R15	5750765	●	5750773	●	5849377	●											