

Grooving / Side Turning

GTW (SCRUM DUO) Series

GTWP

Side Turning Capable
For Swiss Machine

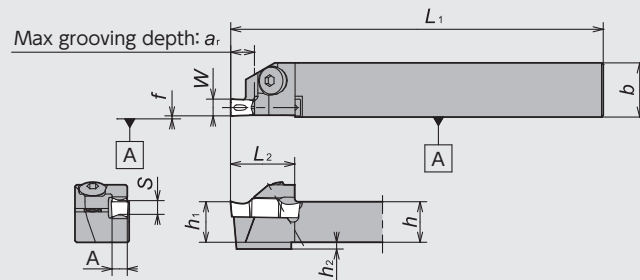
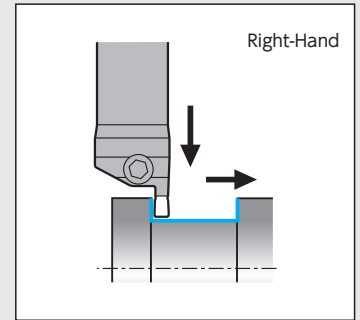


Figure-1



● Right-Hand style shown

GTWP

Side Turning Capable
For Mono-shank style

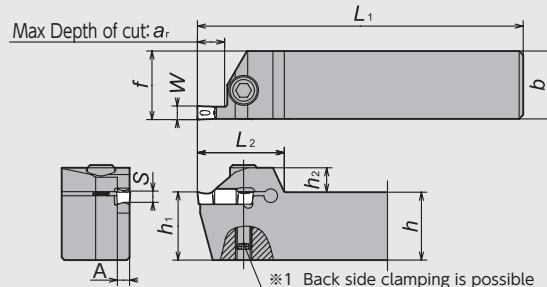
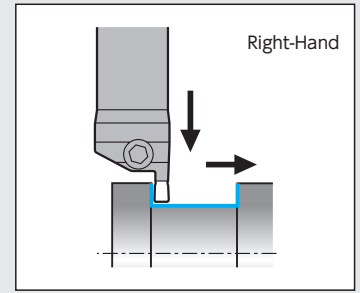


Figure-2



Recommended tightening torque 7.0[N · m]

● Right-Hand style shown

GTW Series - Toolholders

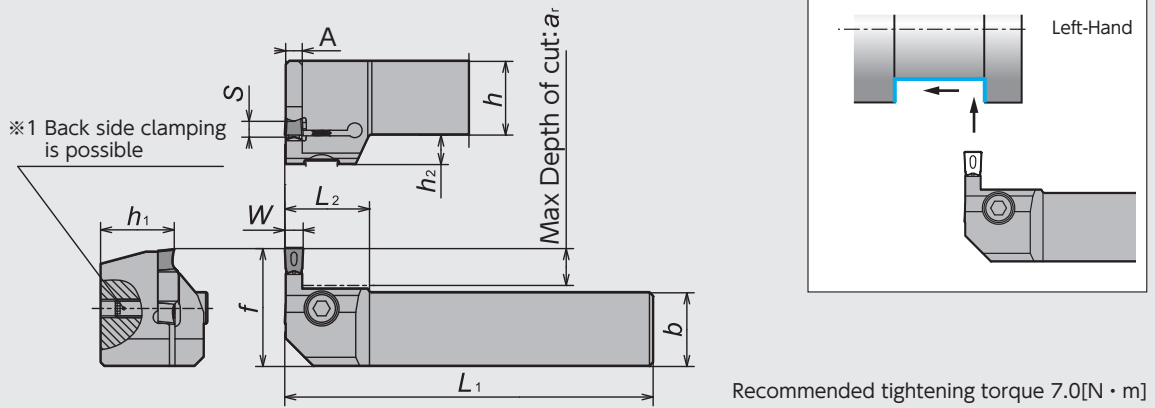
Figure	Code No.		Item Number	Stock		Groove Width (mm) w	Max Depth of cut a _r	Dimensions (mm)										Seat Size S	Gage insert	Spare Parts		
	R	L		R	L			h	b	h ₁	h ₂	f	L ₁	L ₂	A	Clamp Bolt	Wrench			Wrench ※1		
1	5875125		GTWP [®] 1016-3D07	●	●	3	7	10		12	2				19	2.6	D	GWPO300	AOB-5*14	LW-3S	—	
	5849054	5852280	1216-3D07	●	●		9	16		16	0			19.5								
	5849070	5852306	1616-3D09	●	●									22								
	5875133		1016-4E07	●	●	4	7	10		12	2			19	3.5	E	GWPO400	AOB-5*14				
	5849088	5852314	1216-4E07	●	●		9	16		16	0			19.5								
	5849096	5852322	1616-4E09	●	●									22								
	5875141		1016-5F07	●	●	5	7	10		12	2			19	4.5	F	GWPO500	AOB-5*14				
	5849104	5852355	1216-5F07	●	●		9	16		16	0			19.5								
	5849112	5852371	1616-5F09	●	●									22								
	5893565		1020-6G07	●	●	6	7	10	20	10	2			22	5.3	G	GWPO600	AOB-5*14				
5893573		1220-6G07	●	●	7		12	20	12	0			22.5									
5893581	5893599	1620-6G09	●	●	9		16	20	16	0			25									
2	5849120	5852397	GTWP [®] 2020K-3D10	●	●	3	10	20	20	20	8	20.2	125	29	2.6	D	GWPO300	CS0520W	LW-4	LW-2.5		
	5849138	5852405	2525M-3D10	●	●		20	25	25	25	9	25.2	150	32				CS0625W	LW-5	LW-3		
	5849146	5852421	2020K-3D20	●	●		20	20	20	20	8	20.2	125	41				CS0520W	LW-4	LW-2.5		
	5849153	5852439	2525M-3D20	●	●	20	25	25	25	9	25.2	150	44	CS0625W	LW-5	LW-3						
	5849161	5852447	2020K-4E10	●	●	4	10	20	20	20	8	20.3	125	29	3.5	E	GWPO400	CS0520W	LW-4	LW-2.5		
	5849179	5852454	2525M-4E10	●	●		20	25	25	25	9	25.3	150	32				CS0625W	LW-5	LW-3		
	5849187	5852470	2020K-4E20	●	●		20	20	20	20	8	20.3	125	41				CS0520W	LW-4	LW-2.5		
	5849195	5852488	2525M-4E20	●	●	20	25	25	25	9	25.3	150	44	CS0625W	LW-5	LW-3						
	5849203	5852496	2020K-5F10	●	●	5	10	20	20	20	8	20.3	125	29	4.5	F	GWPO500	CS0520W	LW-4	LW-2.5		
	5849211	5852512	2525M-5F10	●	●		20	25	25	25	9	25.3	150	32				CS0625W	LW-5	LW-3		
	5849229	5852520	2020K-5F20	●	●		20	20	20	20	8	20.3	125	41				CS0520W	LW-4	LW-2.5		
	5849237	5852538	2525M-5F20	●	●	20	25	25	25	9	25.3	150	44	CS0625W	LW-5	LW-3						
	5849245	5852546	2020K-6G12	●	●	6	12	20	20	20	8	20.35	125	34	5.3	G	GWPO600	CS0520W	LW-4	LW-2.5		
	5849252	5852553	2525M-6G12	●	●		20	25	25	25	9	25.35	150	37				CS0625W	LW-5	LW-3		
	5849260	5852561	2020K-6G25	●	●		20	20	20	20	8	20.35	125	49				CS0520W	LW-4	LW-2.5		
	5849278	5852587	2525M-6G25	●	●	25	25	25	25	9	25.35	150	52	CS0625W	LW-5	LW-3						

※1 Back side clamping wrench is not included

※Do not tighten clamp screw without installing insert as it may damage the insert pocket.

GKW (SCRUM DUO) Series

GKWP



GKW Series - Toolholders

Code No.		Item Number	Stock		Groove Width (mm) W	Max Depth of cut a_r	Dimensions (mm)							Seat Size S	Gage insert 	Spare Parts			
R	L		R	L			h	b	h ₁	h ₂	f	L ₁	L ₂			A	Clamp Bolt	Wrench	Wrench #1
	5893607	GKWP 2020K-3D10	●		3	10						2.6	D	GWPO300	CS0520W	LW-4	LW-2.5		
	5893615	2020K-4E10	●		4		20	20	20	8	32	125	23	3.5				E	GWPO400
	5893623	2020K-5F10	●		5									4.5				F	GWPO500
	5893631	2020K-6G12	●		6	12								5.3				G	GWPO600

※1 Back side clamping wrench is not included
※Do not tighten clamp screw without installing insert as it may damage the insert pocket.

GTW/GKW Series - Inserts

Shape	Item Number	Dimensions (mm)					Seat Size S	PVD Coated Carbide		
		W		r_e	M	L		DM4	Stock	
		Groove Width	Tolerance							
<p>GWPG: Outside ground GWPM: Full-molded</p> <ul style="list-style-type: none"> ● Excellent chip control ● Best for side turning 	GW	GWPG300N02D-GW	3.0	±0.025	0.2	2.5	20.6	D	5848023	●
		300N04D-GW			0.4				5848031	●
		GWPG400N02E-GW			0.2				3.4	E
		400N04E-GW	0.4	5848072	●					
		400N08E-GW	0.8	5852868	●					
		GWPG500N02F-GW	0.2	4.3	F	5848106	●			
		500N04F-GW	0.4			5848114	●			
		500N08F-GW	0.8			5852876	●			
		GWPG600N02G-GW	0.2	5.2	25.6	G	5848148	●		
		600N04G-GW	0.4				5848155	●		
		600N08G-GW	0.8				5852900	●		
		GW	GWPM300N04D-GW	3.0	±0.05	0.4	2.5	20.6	D	5848171
		400N04E-GW	0.4			5848197				●
		500N04F-GW	0.4			5848213				●
		600N04G-GW	0.4			5848239				●
		GWPG300N02D-GV	3.0	±0.025	0.2	2.5	20.6	E	5848262	●
		300N04D-GV			0.4				5848270	●
		GWPG400N02E-GV	4.0	±0.025	0.2	3.4	E	5848353	●	
		400N04E-GV			0.4			5848361	●	
	GWPG500N02F-GV	5.0	±0.025	0.2	4.3	F	5848395	●		
	500N04F-GV			0.4			5848403	●		
	GWPG600N02G-GV	6.0	±0.025	0.2	5.2	25.6	G	5848437	●	
	600N04G-GV			0.4				5848445	●	

● Less tool pressure design