

GTT Series

GTT

Screw accessible from both sides

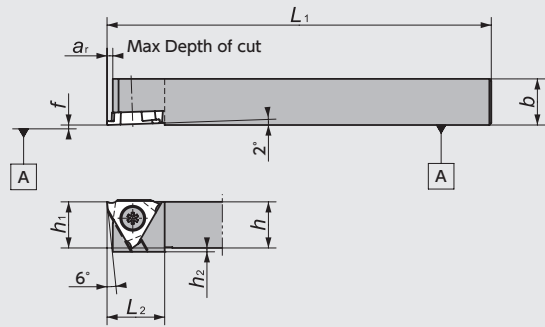
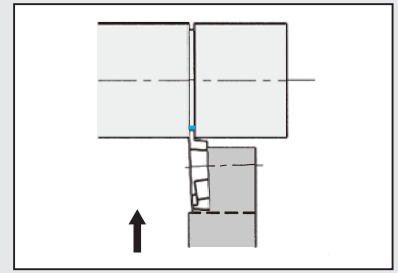


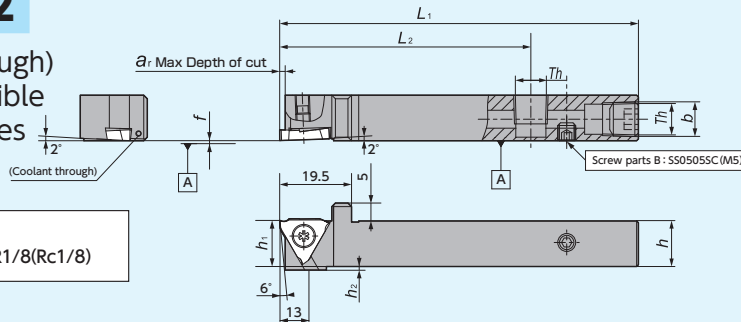
Figure-1



● Right-Hand style shown

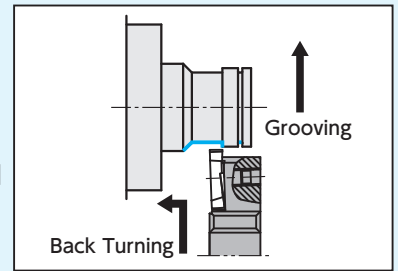
GTT-OH2

(Coolant through)
Screw accessible from both sides



Th(Screw parts A)
1212/1616 size : SPR1/8(Rc1/8)

Figure-2



● Right-Hand style shown

GTT-OH

(Coolant through)
Screw accessible from both sides

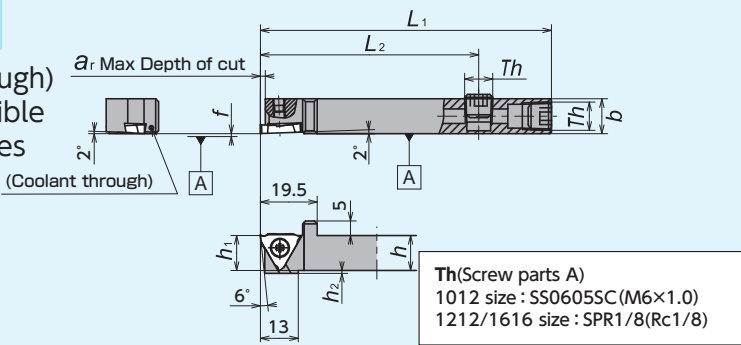
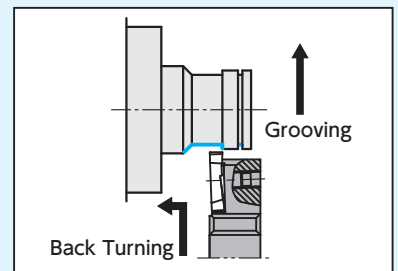


Figure-3



● Right-Hand style shown

CH-GTT

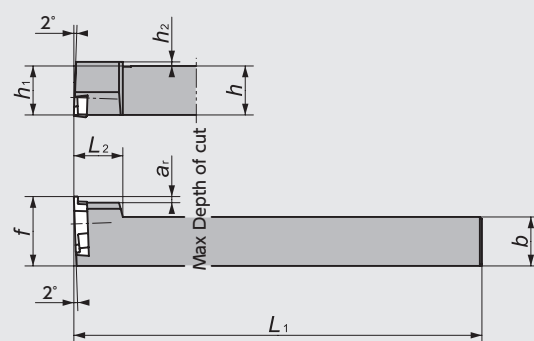
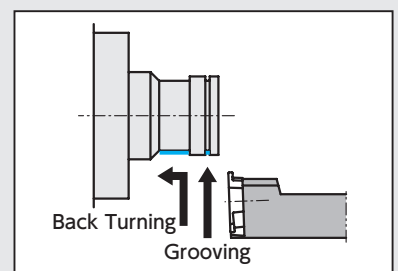


Figure-4



● Left-Hand style shown
☆ Takes Right-hand insert

DS-GTT

(DS Holder)

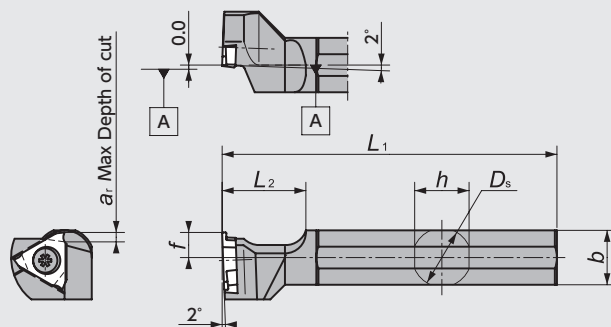
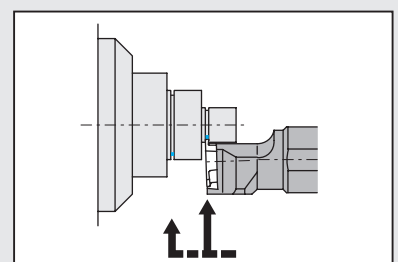
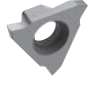

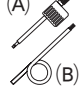


Figure-5



● Left-Hand style shown
☆ Takes Right-hand insert

GTT Series - Toolholders

Figure	Code No.		Item Number	Stock		Dimensions (mm)										Groove Width Range (mm) w	Gage insert 	Spare Parts		
	R	L		R	L	h	b	L_1	h_1	f	L_2	a_1	h_2	D_s	Clamp Screw			Wrench		
1	5107305	5107313	GTT^RL08F00	●	●		8											 Right : LR-S-4*10PW (A) Left : LR-S-4*5.8 (B) LR-S-4*10PW (A) Right : LR-S-4*10PW (A) Left : LR-S-4*5.8 (B)	 (A) (B)	
	5608682		0810F00	●		8	10		8				5							
	5107206	5107214	08K00	●	●		8													
	5608690		0810K00	●			10													
	5107321	5107339	10F00	●	●	10	10		80											
	5107222	5107230	10K00	●	●				120				1.6	3						
	5107347	5107354	12F00	●	●	12	12		80					1						
	5107248	5107255	12K00	●	●				120											
	5459896	5551387	16H00	●	●	16	16		100					0						
	5173687	5173679	16K00	●	●				120											
	5530852	5780317	20K00	●	●	20	20	125	20					0						
	5780309	5780291	25M00	●	●	25	25	150	25	0	15									
	5107362	5107370	10F15	●	●	10	10		80					3						
	5107263	5107271	10K15	●	●				120											
	5537220	5537147	12F15	●	●	12	12		80					1						
	5537246	5537162	12K15	●	●				120											
	5537261	5537188	16H15	●	●	16	16		100					0						
	5537287	5537204	16K15	●	●				120											
	5107388	5107396	10F25	●	●	10	10		80					3						
	5107289	5107297	10K25	●	●				120											
5537238	5537154	12F25	●	●	12	12		80					1							
5537253	5537170	12K25	●	●				120												
5537279	5537196	16H25	●	●	16	16		100					0							
5537295	5537212	16K25	●	●				120												
2	5035381		GTT^RL12H00-OH2	●		12	12	100	12	0	70	1.6	1					LR-S-4*10PW (A)	CLR-15S (A)	
	5043997		16X00-OH2	●		16	16	120	16				0							
3	5921705		GTT^RL1012H00-OH	●		10			10									LR-S-4*10PW (A)	CLR-15S (A)	
	5890157		GTTR12H00-OH	●		12		100	12	0	70	1.6	1							
	5921713		GTT^RL16H00-OH	●		16	16		16				0							
4		5659248	CH-GTT^RL10H00	●	●	10	10	100	10	15				3				LR-S-4*9 (B)	RLR-20S (B)	
		5659255	12H00	●	●	12	12	100	12	17		12	1.5	1						
		5960836	16H00	●	●	16	16	100	16	21				0						
5		5348560	DS-GTT^RL14F	●		13	13	80									14.000	LR-S-4*9 (B)	RLR-20S (B)	
		5348081	15H	●		15	15	100									15.875			
		5341532	16X^{※2}	●				95									16.000			
		5278288	19	●		18	18				6						19.050			
		5278304	20	●		19	19	120				20	1.6				20.000			
		5324041	22^{※2}	●		21	21										22.000			
		5483433	25MET	●		24	24	150				10					25.000			
		5317144	25	●		24	24	120				10					25.400			
	5937693	32	●		30	30	150				10					32.000				

※1 Would be changed by insert

※2 Compatible with 16mm / 22mm round shank DS Series holders DS-Sleeve 

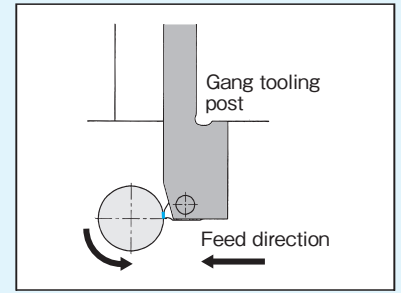
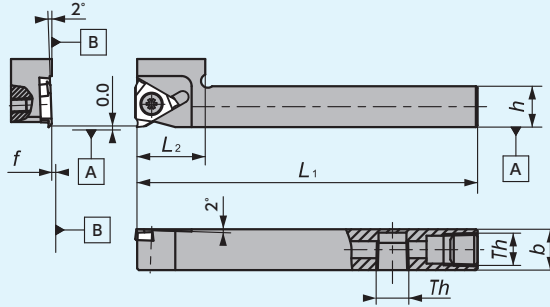
Grooving / Side Turning

GTT Series

Y-GTT-OH

(Y-axis/Coolant through)
Screw accessible from both sides

Th(Screw parts A)
1212/1616 size:SPR1/8(Rc1/8)

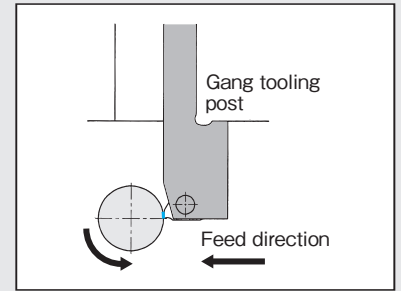
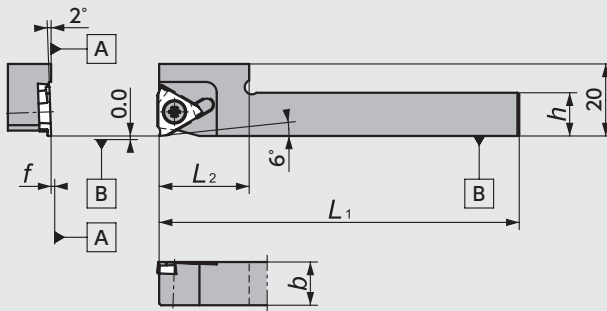


● Right-Hand style shown
☆ Takes Right-hand insert

Figure-1

Y-GTT




(Y-axis)
Screw accessible from both sides



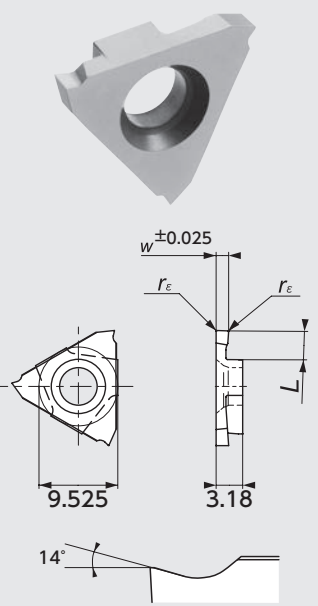
● Right-Hand style shown
☆ Takes Right-hand insert

Figure-2

GTT Series - Toolholders

Figure	Code No.		Item Number	Stock		Dimensions (mm)								Groove Width Range (mm) w	Gage insert 	Spare Parts		
	R	L		R	L	h	b	L ₁	h ₁	f	L ₂	a _r	h ₂			Clamp Screw 	Wrench 	
1	5911466		Y-GTT [®] 1/2 12H00S-OH	●		12	12						20		GTMH32 GTMX32 H22~25	LR-S-4 * 10PW	CLR-15S	
	5911474		Y-GTT [®] 1/2 16H00-OH	●		16	16	100	—	0			25					0.30 } 3.00 *1
2	5371604		Y-GTT [®] 1/2 10S	●									20		TBMH32 G61	LR-S-4 * 10PW	CLR-15S	
	5950415		10MS	●		10	10						22					0.30 } 3.00 *1
	5371620		12S	●				120	—	0			20					
	5950472		12MS	●		12	12						22					

● GTMX32-T

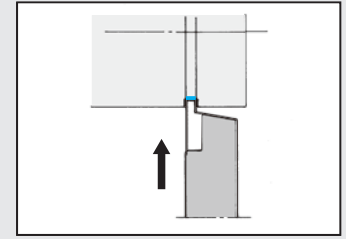
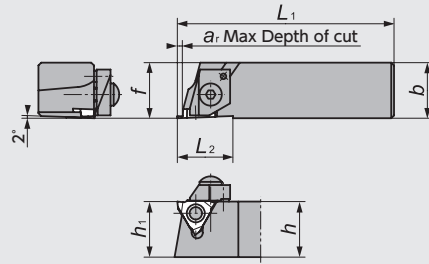
Shape	Item Number	Dimensions (mm)				PVD Coated Carbide							
		w	L	r _e	Max Depth of cut	QM3				DT4			
						R	Stock	L	Stock	R	Stock	L	Stock
 <p>● Right-Hand style shown</p>	GTMX32030^R/L	0.30	0.6	0.05	0.25	5510110	●			5847967	●		
	033^R/L	0.33				5510102	●						
	043^R/L	0.43	1.2	0.9	5510094	●			5847983	●			
	050^R/L	0.50			5493895	●			5847991	●			
	053^R/L	0.53			5510086	●							
	065^R/L	0.65			5510078	●			5849013	●			
	075^R/L	0.75	2.0	1.6	5493903	●	5510540	●	5848999	●	5848981	●	
	080^R/L	0.80			5510060	●			5848965	●			
	095^R/L	0.95			5493911	●	5510581	●	5848882	●	5848874	●	
	100^R/L	1.00			5493929	●			5848866	●			
	110^R/L	1.10			5510052	●							
	120^R/L	1.20			5493937	●			5848841	●			
	125^R/L	1.25			5510045	●			5848833	●			
	130^R/L	1.30			5510037	●			5848825	●			
	140^R/L	1.40			5510029	●			5848817	●			
	145^R/L	1.45			5510011	●							
	150^R/L	1.50	3.0	2.7	5493945	●	5510672	●	5848791	●	5848783	●	
	160^R/L	1.60			5510003	●			5848775	●			
	175^R/L	1.75			5510243	●			5848767	●			
	180^R/L	1.80			5510250	●			5848759	●			
	200^R/L	2.00			5510227	●	5510425	●	5848742	●	5848734	●	
	250^R/L	2.50			5510219	●	5510417	●	5848726	●	5848718	●	
	300^R/L	3.00			5510235	●			5848700	●			
	100^R/L T01	1.00			2.0	1.6	5510136	●			5848692	●	
	120^R/L T01	1.20	5510128	●					5848684	●			
	150^R/L T01	1.50	0.1	2.7	5510482	●			5848676	●			
	200^R/L T01	2.00			5510433	●	5510441	●	5848668	●	5848650	●	
	250^R/L T01	2.50			5523204	●			5848627	●			
	150^R/L T02	1.50	3.0	2.7	5523196	●			5848643	●			
	200^R/L T02	2.00			5523188	●			5848635	●			
250^R/L T02	2.50	5523170			●			5848619	●				
300^R/L T02	3.00	5523162			●			5848601	●				

Grooving / Side Turning

NGT Series

NGTN

Clamp-on
No-Offset

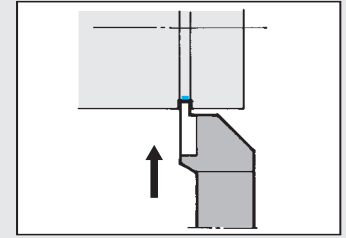
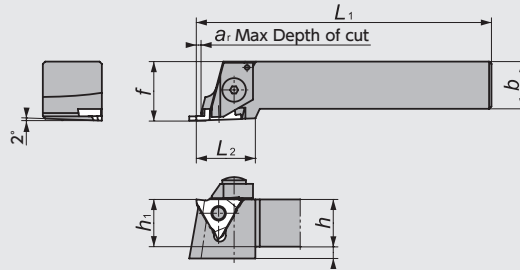


● Right-Hand style shown

Figure-1

NGTB

Clamp-on
With Offset

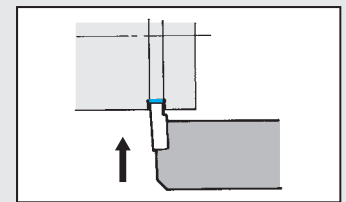
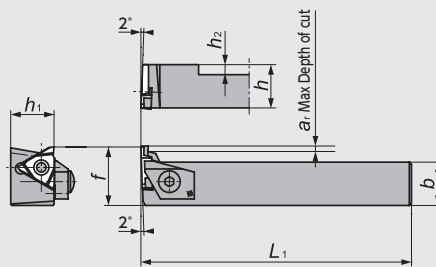


● Right-Hand style shown

Figure-2

NGTA

Clamp-on



● Left-Hand style shown
☆ Takes Right-hand insert

Figure-3

NGT Series - Toolholders

Figure	Code No.		Item Number	Stock		Dimensions (mm)							Groove Width Range (mm) w	Gage insert	Spare Parts				
	R	L		R	L	h	b	L ₁	h ₁	f	L ₂	a			h ₂	Clamp	Clamp Bolt	Spring	Wrench
1	5501994	5554241	NGTN ^{R/L} 161643-20	●	●									2.00-3.49	GTMA43 GTMT43 H27	CPR/L5S	AOS-5*25	ASG-5	LW-2.5
	5534136	5222112	161643-35	●	●	16	16	78	16	16	20	4.5	9	3.50-5.50					
2	5239900	5239843	NGTB ^{R/L} 161643-00S	●	●								3.0	1.00-2.49	GTMA43 GTMT43 H27	CPR/L5	AOS-5*25	ASG-5	LW-2.5
	5949615	5210901	161643-20S	●	●	16	16	100	16	20			4.5	2.00-3.49					
	5806096	5222021	161643-35S	●	●									3.50-5.50					
	5239850	5239868	202043-00S	●	●								3.0	1.00-2.49					
	5550041	5553367	202043-20S	●	●	20	20	125	20	25			4.5	2.00-3.49					
	5553375	5222039	202043-35S	●	●						25			3.50-5.50					
	5239876	5239892	252543-00S	●	●								3.5	1.00-2.49					
	5550058	5550066	252543-20S	●	●	25		150	25					2.00-3.49					
	5550074	5550082	252543-35S	●	●			25		30			5.5	3.50-5.50					
	5553433	5553441	322543-20S	●	●									2.00-3.49					
5222013	5222047	322543-35S	●	●	32		170	32					3.50-5.50						
3	5004155	NGTA ^{R/L} 161643-00S	●	●	16	16	100	16	23	—	3.0	4	1.00-2.49	GTMA43 GTMT43 H27	CPR/L5S*	AOS-5*20	ASG-5	LW-2.5	
	5884903	202043-00S	●	●	20	20	125	20	27	—	3.0	—	※1						CPR/L6*

※1 Would be changed by insert
 ※Left-Hand clamp with should be used with right-hand holder
 Right-Hand clamp with should be used with left-hand holder

GTT/NGT Series - Inserts

● GTMT43/GTMA43

Shape	Item Number	Dimensions (mm)					PVD Coated Carbide							
		w	L	r _ε	s	Max Depth of cut	QM3				DM4			
							R	Stock	L	Stock	R	Stock	L	Stock
<p>● Right-Hand style shown</p>	GTMT43145 R _L	1.45	3.5	0.2	4.76	3.0	5238076	●	5237912	●	5846852	●	5846860	●
	150 R _L	1.50					5238084	●	5237920	●	5846837	●	5846845	●
	175 R _L	1.75					5238092	●	5237938	●	5846811	●	5846829	●
	185 R _L	1.85					5238100	●	5237946	●	5846795	●	5846803	●
	200 R _L	2.00					5238118	●	5237953	●	5846779	●	5846787	●
	230 R _L	2.30					5238126	●	5237961	●	5846753	●	5846761	●
	250 R _L	2.50	5238134	●			5846746	●						
	265 R _L	2.65	5238142	●			5846910	●						
	280 R _L	2.80	5238159	●			5237904	●	5846902	●	5846738	●		
	300 R _L	3.00	5238167	●			5237987	●	5846894	●	5846720	●		
	330 R _L	3.30	5238175	●			5237995	●						
	350 R _L	3.50	5.5	0.3			4.3	5238183	●	5238001	●	5846704	●	5846712
	400 R _L	4.00	5238191		●	5238019		●	5846688	●	5846696	●		
	430 R _L	4.30												
	450 R _L	4.50	5.5		0.4	5238233		●	5238035	●	5846639	●	5846670	●
	500 R _L	5.00				5238241		●	5238043	●	5846613	●	5846621	●
550 R _L	5.50				5.76	5238258		●	5238050	●	5846597	●	5846605	●
Full radius style <p>● Right-Hand style shown</p>	GTMA43200 R _L 10R	2.00	3.5	1.0		3.0	5437918	●						
	300 R _L 15R	3.00	5.5	1.5	—		4.5	5437926	●					
	400 R _L 20R	4.00		2.0		5437934		●						

- New Products
- Tool Materials / Selection Guide
- BIDEMCS, PCD and Ceramics
- Micrograin Carbide, PVD Coated Carbide, CBN and Ceramics
- Insert Item List
- General Turning Toolholders
- Unique Swiss Tooling
- Grooving / Side Turning
- Threading
- Shaper
- ID Tooling
- Application Introduction
- Endmills
- Rotating Tools
- Information
- Index

Grooving / Side Turning

GTV/GKV Series

GTV

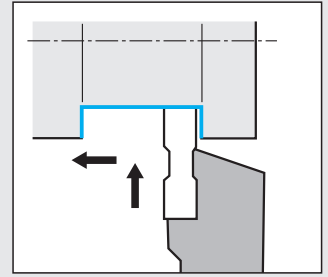
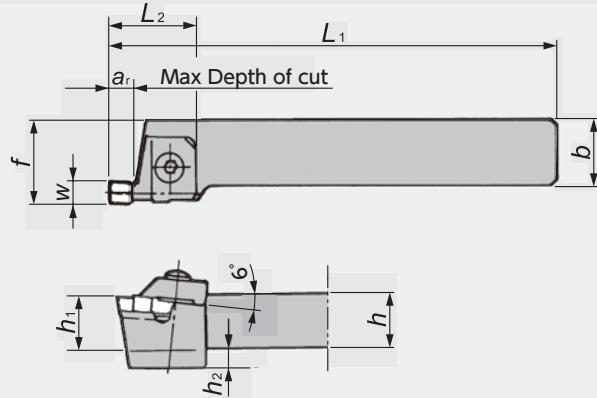


Figure-1

●Right-Hand style shown

GKV

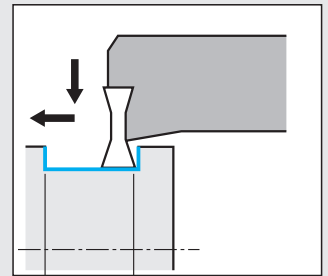
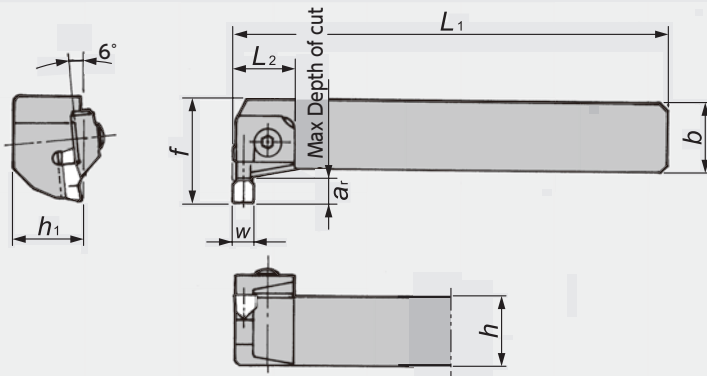




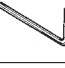



Figure-2

●Right-Hand style shown

GTV/GKV Series - Toolholders

Figure	Code No.		Item Number	Stock		Dimensions (mm)							Groove Width Range (mm) w	Gage insert 	Spare Parts										
	R	L		R	L	h	b	L ₁	h ₁	f	L ₂	a _r			h ₂	Clamp 	Clamp Bolt 	Spring 	Wrench 						
1	5765920		GTV[®]16-3N	●		16	16	100	16	20	25	11	9		GEV300N(04) GEV350N(04) H31	CVR/L3SN	AOB-5C	ASG-5	LW-3						
	5778980		20-3N	●		20	20	125	20	25	32					0	3.00 } 3.50	CVR/L3N	AOB-6C	ASG-6	LW-4				
	5801667	5801675	25-3N	●	●	25	25	150	25	30	32							9	4.00 } 5.90	CVR/L4SN	AOB-5C	ASG-5	LW-3		
	5657739	5657747	16-4N	●	●	16	16	100	16	20	25		0			6.00 } 7.90	CVR/L4N			AOB-6C	ASG-6	LW-4			
	5657754	5657762	20-4N	●	●	20	20	125	20	25	32						8.00 } 9.00						CVR/L6	AOB-6C	ASG-6
	5657770	5657788	25-4N	●	●	25	25	150	25	30	32		CVR/L8			AOB-6C				ASG-6	LW-4				
	5657796	5657804	20-6	●	●	20	20	125	20	25	32											11	—		
	5609193	5611397	25-6	●	●	25	25	150	25	30	32		6.00 } 7.90			CVR/L6	AOB-6C			ASG-6	LW-4				
	5657812		20-8	●		20	20	125	20	25	32					8.00 } 9.00		CVR/L8	AOB-6C					ASG-6	LW-4
5657697	5657705	25-8	●	●	25	25	150	25	30	32	11	—	4.00 } 5.90	CVR/L4N	AOB-6C		ASG-6	LW-4							
5657820	5657838	GKV[®]20-4N	●	●	20	20	125	20	33	32				6.00 } 7.90		CVR/L6			AOB-6C	ASG-6	LW-4				
5657846	5657853	25-4N	●	●	25	25	150	25	38	32						8.00 } 9.00						CVR/L8	AOB-6C	ASG-6	LW-4
5657861		20-6	●		20	20	125	20	33	32				8.00 } 9.00					CVR/L6	AOB-6C	ASG-6	LW-4			
5657713	5657721	25-6	●	●	25	25	150	25	38	32						8.00 } 9.00			CVR/L8				AOB-6C	ASG-6	LW-4
		20-8			20	20	125	20	33	32	8.00 } 9.00	CVR/L8	AOB-6C	ASG-6	LW-4										
		25-8			25	25	150	25	38	32		8.00 } 9.00				CVR/L8	AOB-6C	ASG-6	LW-4						

※Left-Hand clamp with should be used with right-hand holder
Right-Hand clamp with should be used with left-hand holder

■ GTV/GKV Series - Inserts

● GTV

Shape	Item Number	Dimensions (mm)			PVD Coated Carbide	
		w	S	r _ε	QM3	Stock
	GTV400N	4.0	8.5	0.15	5027610	●
	400N04			0.4	5046727	●
	GTV600N	6.0	8.5	0.15	5027602	●
	600N04			0.4	5046735	●

● GEV

Shape	Item Number	Dimensions (mm)			PVD Coated Carbide	
		w	S	r _ε	QM3	Stock
	GEV300N	3.0	5.2	0.2	5027586	●
	300N04			0.4	5048392	●
	GEV350N04	3.5		0.4	5053616	●
	GEV400N	4.0	8.5	0.2	5046818	●
	400N04			0.4	5035233	●
	GEV450N04	4.5		0.4	5227517	●
	GEV500N	5.0	8.5	0.2	5046800	●
	500N04			0.4	5035225	●
	GEV550N04	5.5		0.4	5255385	●
	GEV600N	6.0	8.5	0.2	5082961	●
	600N04			0.4	5042189	●
	GEV650N04	6.5		0.4	5064191	●
	GEV700N04	7.0		0.4	5037080	●
	GEV750N04	7.5		0.4	5255393	●
GEV800N04	8.0		0.4	5255401	●	

● GVGN

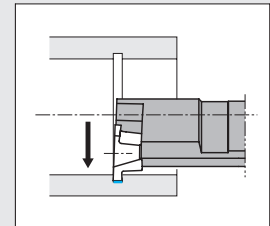
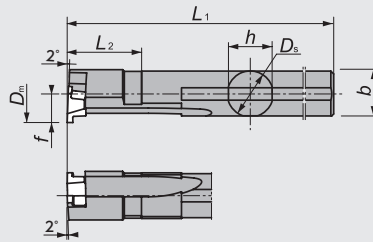
Shape	Item Number	Dimensions (mm)			Ceramics	
		w	S	r _ε	HC2	Stock
<p>without chipbreaker</p>	GVGN20400N	4.0	8.5	0.2		
	20500N	5.0				
	20600N	6.0				
	20700N	7.0				
	20800N	8.0				
	20900N	9.0				

※The ceramics grade inserts are manufactured on a production-to-order basis

BG Series (ID Grooving)

S-BG (Mogul Bar)

Minimum Bore Diameter 10.0mm

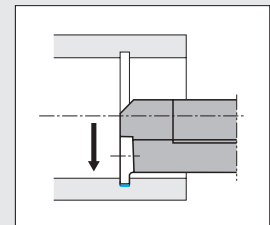
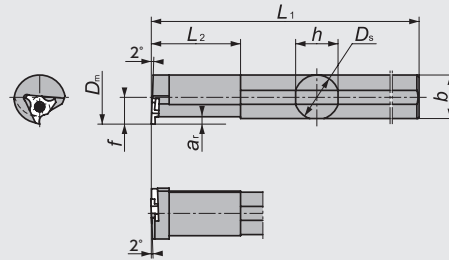


● Right-Hand style shown
☆ Takes Left-hand insert

Figure-1

BG

Minimum Bore Diameter 10.0mm



● Right-Hand style shown
☆ Takes Left-hand insert

Figure-2

BG Series - Toolholders

Figure	Code No.		Item Number	Stock		Min Bore Dia. (mm) D_m	Max Depth of cut a_r	Dimensions (mm)						Groove Width Range (mm) w	Gage insert	Spare Parts	
	R	L		R	L			D_s	h	b	L_1	f	L_2			Clamp Screw	Wrench
1	5854500		S08H-BG^{R/L}10D10	●		10.0	1.0	8	7.7	7.85	120	5.0	20	0.50 ~ 2.00	GTG10	LR-S-2.5*6.8	CLR-15S (A)
	5854518		S10K-BG^{R/L}10D12	●		12.0	1.0	10	9.6	9.8	120	6.0	25				
2	5711585		BG^{R/L}08-00S	●		10.0	1.0	8	7.0	7.5	125	5.0	20	0.50 ~ 2.00	GTG10	LR-S-2.5*6.8	CLR-15S (A)
	5711593		08-10S	●		10.0	1.0	8	7.0	7.5	125	5.0	20	1.50 ~ 2.00			
	5711601		10-00S	●		12.0	1.0	10	9.0	9.5	150	6.0	25	0.50 ~ 2.00			
	5711619		10-10S	●		12.0	1.0	10	9.0	9.5	150	6.0	25	1.50 ~ 2.00			
	5711627		12-00S	●		14.0	2.0	12	11.0	11.5	180	7.0	30	1.00 ~ 2.00	GTG14	LR-S-3*7.8	RLR-20S (B)
	5711635		12-12S	●		14.0	2.0	12	11.0	11.5	180	7.0	30	1.75 ~ 2.00			
	5711643		14-00S	●		16.0	2.0	14	13.0	13.5	180	8.0	35	1.00 ~ 2.00			
	5711650		14-12S	●		16.0	2.0	14	13.0	13.5	180	8.0	35	1.75 ~ 2.00			
	5536362		16	●		20.0	3.0	16	15.0	15.5	200	10.0	40	1.50 ~ 2.00	GTG20	LR-S-3*7.8	RLR-20S (B)
	5435433		20	●		25.0	3.0	20	19.0	19.5	200	12.0	40				

BG Series - Inserts

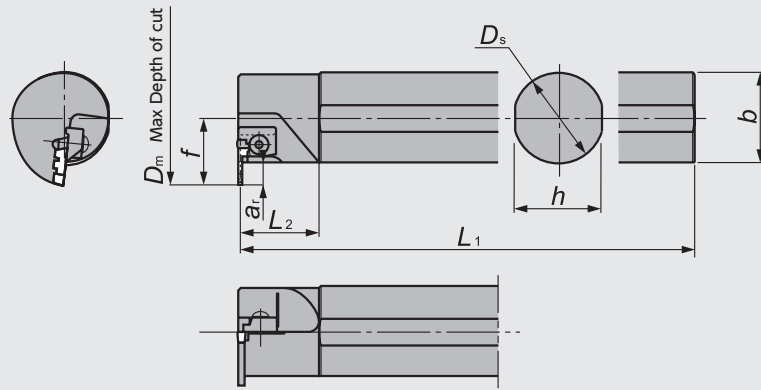
Shape	Item Number	Dimensions (mm)						PVD Coated Carbide					
		w	Max Depth of cut	L	r_e	d_1	TM4	Stock	ZM3	Stock	QM3	Stock	
<p>● Left-Hand style shown</p>	GTG10050FL005	0.50	1.0	1.2	0.05	5.56	5853130	●					
	10075FL005	0.75					5853114	●					
	10100FL005	1.00					5853098	●					
	10150FL005	1.50					5853080	●					
	10200FL005	2.00					5853072	●					
	GTG10050FL00	0.50					1.0	1.2	0.05	5.56			5514088
	10065FL00	0.65			5514104	●							
	10075FL00	0.75			5376835	●							
	10100FL00	1.00			5376843	●							
	10150FL00	1.50			5376850	●							
10200FL01	2.00			5357884	●								
GTG14100FL00	1.00	2.0	2.2	0.05	7.94			5376868	●				
14150FL00	1.50			0.05			5376876	●					
14200FL01	2.00			0.1			5376884	●					
GTG20150FL	1.50	3.0	3.2	0.2	9.525					5396239	●		
20200FL	2.00									5376991	●		

Grooving / Side Turning

GKV Series (ID Grooving)

GKV

Minimum Bore Diameter 30.0mm



● Right-Hand style shown

GKV Series - Toolholders

Code No.		Item Number	Stock		Min Bore Dia. (mm) D_m	Dimensions (mm)							Groove Width Range (mm) w	Gage insert	Spare Parts			
R	L		R	L		D_s	h	b	L_1	f	L_2	a_r			Clamp	Clamp Bolt	Spring	Wrench
5255567		GKV^{R/L}3230-3	●		30	32	30	31	200	21	50	5.5	3.00	GEV	CVL/R3SN ※	AOB-5C	ASG-5	LW-3
5255559		3240-3	●		40	32	30	31	250	23	50	7.5	3.50					
5255542		4055-3	●		55	40	38	39	300	29	35	9.5	3.50					

※ Left-Hand clamp with should be used with right-hand holder
Right-Hand clamp with should be used with left-hand holder

GKV Series - Inserts

Shape	Item Number	Dimensions (mm)			PVD Coated Carbide	
		w	S	r_ϵ	QM3	Stock
 	GEV300N	3.0	5.2	0.2	5027586	●
	300N04			0.4	5048392	●
	GEV350N04	3.5	0.4	5053616	●	