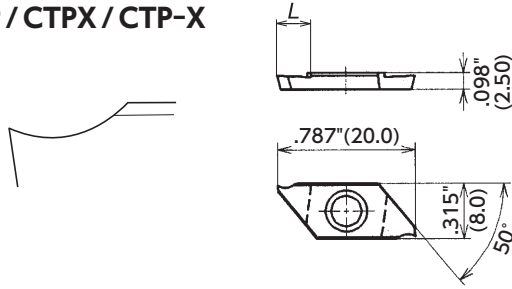


CTP Series Inserts (Right-Hand)

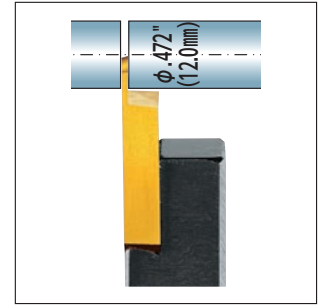
Two-sided insert

Max. Cut-off Dia. - ϕ .472" (12.0mm)

■ CTP / CTPX / CTP-X



CX-Chipbreaker



Right-Hand style shown

All angles shown are obtained when insert is set in the holder.

■ FR

Shape	Item Number	Figure	Chip-breaker	Max. Cut-off Dia. ϕD		w		L		θ	$r_{\epsilon 1}$		Coated Carbide						Carbide	PCD		
				(Inch)	(mm)	(Inch)	(mm)	(Inch)	(mm)		(Inch)	(mm)	ST4	DM4	DT4	QM3	VM1	ZM3			KM1	PD1
Figure-1	CTP05FR-SH	1	Yes	.197	5.0	.020	0.5	.110	2.8	15°	.001	0.03										
	CTP07FR	1	Yes	.315	8.0	.028	0.7	.177	4.5	16°	.002	0.05										
	CTP10FR-SH	1	Yes	.275	7.0	.039	1.0	.161	4.1	15°	.002	0.05										
	CTP10FR	1	Yes	.472	12.0	.039	1.0	.264	6.7	16°	.002	0.05										
Figure-2	CTP10FR-CX	2	Yes-CX	.472	12.0	.039	1.0	.264	6.7	16°	.002	0.05	●	●								
	CTP10FR-TH	1	Yes	.472	12.0	.039	1.0	.264	6.7	16°	.002	0.05	●									
Figure-3	CTP10FRFT	4	No	.472	12.0	.039	1.0	.264	6.7	16°	.002	0.05	●									
	CTP10FRV	3	No	.472	12.0	.039	1.0	.264	6.7	20°	0.0	0.0										
Figure-4	CTP13FR-CX	2	Yes-CX	.472	12.0	.051	1.3	.264	6.7	16°	.002	0.05	●	●								
	CTP15FR	1	Yes	.472	12.0	.059	1.5	.264	6.7	16°	.002	0.05										
Figure-3	CTPX15FR	1	Yes	.472	12.0	.059	1.5	.264	6.7	16°	.002	0.05										
	CTP15FRX	1	Yes	.472	12.0	.059	1.5	.264	6.7	16°	.002	0.05										
Figure-4	CTP15FR-CX	2	Yes-CX	.472	12.0	.059	1.5	.264	6.7	16°	.002	0.05	●	●								
	CTP15FR-TH	1	Yes	.472	12.0	.059	1.5	.264	6.7	16°	.002	0.05	●									
Figure-4	CTP15FRV	3	No	.472	12.0	.059	1.5	.264	6.7	20°	0.0	0.0										
	CTP20FR	1	Yes	.472	12.0	.079	2.0	.264	6.7	16°	.002	0.05										
Figure-3	CTP20FR	1	Yes	.472	12.0	.079	2.0	.264	6.7	16°	.002	0.05										
	CTP20FRX	1	Yes	.472	12.0	.079	2.0	.264	6.7	16°	.002	0.05										
Figure-4	CTP20FR-TH	1	Yes	.472	12.0	.079	2.0	.264	6.7	16°	.002	0.05	●									
	CTP20FRV	3	No	.472	12.0	.079	2.0	.264	6.7	20°	0.0	0.0										

■ FRN

Shape	Item Number	Figure	Chip-breaker	Max. Cut-off Dia. ϕD		w		L		θ	$r_{\epsilon 1}$		Coated Carbide						Carbide	PCD		
				(Inch)	(mm)	(Inch)	(mm)	(Inch)	(mm)		(Inch)	(mm)	ST4	DM4	DT4	QM3	VM1	ZM3			KM1	PD1
Figure-1	CTP05FRN-SH	1	Yes	.197	5.0	.020	0.5	.110	2.8	0°	.001	0.03										
	CTP10FRN-SH	1	Yes	.275	7.0	.039	1.0	.161	4.1	0°	.002	0.05										
	CTP10FRN	1	Yes	.472	12.0	.039	1.0	.264	6.7	0°	.002	0.05										
	CTP10FRN-CX	2	Yes-CX	.472	12.0	.039	1.0	.264	6.7	0°	.002	0.05	●	●								
Figure-2	CTP10FRN-TH	1	Yes	.472	12.0	.039	1.0	.264	6.7	0°	.002	0.05	●									
	CTP13FRN02-CX	2	Yes-CX	.472	12.0	.051	1.3	.264	6.7	0°	.002	0.05	●	●								
Figure-3	CTP15FRN-CX	2	Yes-CX	.472	12.0	.059	1.5	.264	6.7	0°	.002	0.05	●	●								
	CTP15FRN02-CX	2	Yes-CX	.472	12.0	.059	1.5	.264	6.7	0°	.008	0.2	●	●								
Figure-3	CTP15FRN	1	Yes	.472	12.0	.059	1.5	.264	6.7	0°	.002	0.05										
	CTPX15FRN	1	Yes	.472	12.0	.059	1.5	.264	6.7	0°	.002	0.05										
Figure-3	CTP15FRNX	1	Yes	.472	12.0	.059	1.5	.264	6.7	0°	.002	0.05										
	CTP15FRN-TH	1	Yes	.472	12.0	.059	1.5	.264	6.7	0°	.002	0.05	●									
Figure-3	CTP15FRNV	3	No	.472	12.0	.059	1.5	.264	6.7	0°	0.0	0.0										
	CTP20FRN	1	Yes	.472	12.0	.079	2.0	.264	6.7	0°	.002	0.05										
Figure-3	CTPX20FRN	1	Yes	.472	12.0	.079	2.0	.264	6.7	0°	.002	0.05										
	CTP20FRNX	1	Yes	.472	12.0	.079	2.0	.264	6.7	0°	.002	0.05										
Figure-3	CTP20FRN-TH	1	Yes	.472	12.0	.079	2.0	.264	6.7	0°	.002	0.05	●									
	CTP20FRNV	3	No	.472	12.0	.079	2.0	.264	6.7	0°	0.0	0.0										

■ FRK

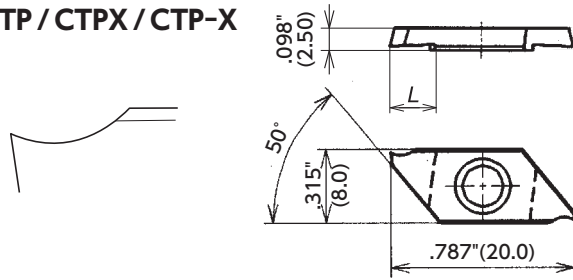
Shape	Item Number	Figure	Chip-breaker	Max. Cut-off Dia. ϕD		w		L		θ	$r_{\epsilon 1}$		Coated Carbide						Carbide	PCD		
				(Inch)	(mm)	(Inch)	(mm)	(Inch)	(mm)		(Inch)	(mm)	ST4	DT4	QM3	VM1	ZM3	KM1			PD1	
Figure-1	CTP10FRK	1	Yes	.433	11.0	.039	1.0	.264	6.7	16°	.002	0.05										
	CTP15FRK	1	Yes	.433	11.0	.059	1.5	.264	6.7	16°	.002	0.05										
	CTP20FRK	1	Yes	.433	11.0	.079	2.0	.264	6.7	16°	.002	0.05										

CTP Series Inserts (Left-Hand)

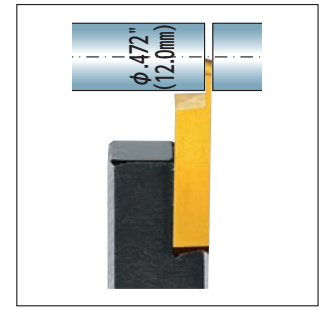
Two-sided insert

Max. Cut-off Dia. - ϕ .472" (12.0mm)

■ CTP / CTPX / CTP-X



CX-Chipbreaker
(Right-hand shown)



Left-Hand style shown

All angles shown are obtained when insert is set in the holder.

■ FLK

Shape	Item Number	Figure	Chip-breaker	Max. Cut-off Dia. ϕD		w		L		θ	$r_{\epsilon 1}$		Coated Carbide					Carbide	PCD
				(Inch)	(mm)	(Inch)	(mm)	(Inch)	(mm)		(Inch)	(mm)	ST4	DM4	DT4	QM3	VM1	ZM3	KM1
Figure-1	CTP05FLK-SH	1	Yes	.197	5.0	.020	0.5	.110	2.8	17°	.001	0.03						●	
	CTP10FLK-SH	1	Yes	.275	7.0	.039	1.0	.161	4.1	17°	.002	0.05			○			○	
	CTP10FLK	1	Yes	.433	11.0	.039	1.0	.264	6.7	16°	.002	0.05			●			●	
Figure-2	CTP10FLK-CX	2	Yes-CX	.433	11.0	.039	1.0	.264	6.7	16°	.002	0.05	●	●					
	CTP10FLK-TH	1	Yes	.433	11.0	.039	1.0	.264	6.7	16°	.002	0.05	●						
	CTP10FLK-211	1	Yes	.472	12.0	.039	1.0	.295	7.5	16°	.002	0.05					●		
Figure-3 Flat top	CTP13FLK-CX	2	Yes-CX	.472	12.0	.051	1.3	.264	6.7	16°	.002	0.05	●	●					
	CTP15FLK	1	Yes	.433	11.0	.059	1.5	.264	6.7	16°	.002	0.05					○	●	
	CTP15FLKB	1	Yes	.433	11.0	.059	1.5	.264	6.7	16°	.002	0.05					○	○	
Figure-3 Flat top	CTPX15FLK	1	Yes	.433	11.0	.059	1.5	.264	6.7	16°	.002	0.05			●	●			
	CTP15FLK-CX	2	Yes-CX	.433	11.0	.059	1.5	.264	6.7	16°	.002	0.05	●	●					
	CTP15FLK-TH	1	Yes	.433	11.0	.059	1.5	.264	6.7	16°	.002	0.05	●						
Figure-3 Flat top	CTP15FLKV (M)	3	No	.433	11.0	.059	1.5	.264	6.7	20°	0.0	0.0					●	●	
	CTP20FLK	1	Yes	.433	11.0	.079	2.0	.264	6.7	16°	.002	0.05					○	●	
	CTPX20FLK	1	Yes	.433	11.0	.079	2.0	.264	6.7	16°	.002	0.05					○	○	
Figure-3 Flat top	CTP20FLK-TH	1	Yes	.433	11.0	.079	2.0	.264	6.7	16°	.002	0.05	●						

■ FLN

Shape	Item Number	Figure	Chip-breaker	Max. Cut-off Dia. ϕD		w		L		θ	$r_{\epsilon 1}$		Coated Carbide					Carbide	PCD
				(Inch)	(mm)	(Inch)	(mm)	(Inch)	(mm)		(Inch)	(mm)	ST4	DM4	DT4	QM3	VM1	ZM3	KM1
Figure-1	CTP05FLN-SH	1	Yes	.197	5.0	.020	0.5	.110	2.8	0°	.001	0.03						●	
	CTP10FLN-SH	1	Yes	.275	7.0	.039	1.0	.161	4.1	0°	.002	0.05			○			○	
	CTP10FLN	1	Yes	.472	12.0	.039	1.0	.264	6.7	0°	.002	0.05			●			●	
Figure-2	CTP10FLN-CX	2	Yes-CX	.472	12.0	.039	1.0	.264	6.7	0°	.002	0.05	●	●					
	CTP10FLN-TH	1	Yes	.472	12.0	.039	1.0	.264	6.7	0°	.002	0.05	●						
	CTP13FLN-CX	2	Yes-CX	.472	12.0	.051	1.3	.264	6.7	0°	.002	0.05	●	●					
Figure-2	CTP13FLN02-CX	2	Yes-CX	.472	12.0	.051	1.3	.264	6.7	0°	.008	0.2	●	●					
	CTP15FLN-CX	2	Yes-CX	.472	12.0	.059	1.5	.264	6.7	0°	.002	0.05	●	●					
	CTP15FLN02-CX	2	Yes-CX	.472	12.0	.059	1.5	.264	6.7	0°	.008	0.2	●	●					
Figure-3 Flat top	CTP15FLN	1	Yes	.472	12.0	.059	1.5	.264	6.7	0°	.002	0.05					○	●	
	CTPX15FLN	1	Yes	.472	12.0	.059	1.5	.264	6.7	0°	.002	0.05			●	●			
	CTP15FLN-TH	1	Yes	.472	12.0	.059	1.5	.264	6.7	0°	.002	0.05	●						
Figure-3 Flat top	CTP15FLNV (M)	3	No	.472	12.0	.059	1.5	.264	6.7	0°	0.0	0.0						●	
	CTP20FLN	1	Yes	.472	12.0	.079	2.0	.264	6.7	0°	.002	0.05					○	●	
	CTPX20FLN	1	Yes	.472	12.0	.079	2.0	.264	6.7	0°	.002	0.05					○	○	
Figure-3 Flat top	CTP20FLN-TH	1	Yes	.472	12.0	.079	2.0	.264	6.7	0°	.002	0.05	●						
	CTP20FLNV (M)	3	No	.472	12.0	.079	2.0	.264	6.7	0°	0.0	0.0						●	

■ FL

Shape	Item Number	Figure	Chip-breaker	Max. Cut-off Dia. ϕD		w		L		θ	$r_{\epsilon 1}$		Coated Carbide					Carbide	PCD
				(Inch)	(mm)	(Inch)	(mm)	(Inch)	(mm)		(Inch)	(mm)	ST4	DT4	QM3	VM1	ZM3	KM1	PD1
Figure-1	CTP07FL	1	Yes	.315	8.0	.028	0.7	.177	4.5	16°	.002	0.05						●	
	CTP10FL	1	Yes	.472	12.0	.039	1.0	.264	6.7	16°	.002	0.05						○	
	CTP10FLV (M)	2	No	.472	12.0	.039	1.0	.264	6.7	20°	0.0	0.0					○	○	
Figure-2 Flat top	CTP15FL	1	Yes	.472	12.0	.059	1.5	.264	6.7	16°	.002	0.05						○	
	CTPX15FL	1	Yes	.472	12.0	.059	1.5	.264	6.7	16°	.002	0.05			●	●			
	CTP15FLV (M)	2	No	.472	12.0	.059	1.5	.264	6.7	20°	0.0	0.0					○	○	
Figure-2 Flat top	CTP20FL	1	Yes	.472	12.0	.079	2.0	.264	6.7	16°	.002	0.05						○	●
	CTPX20FL	1	Yes	.472	12.0	.079	2.0	.264	6.7	16°	.002	0.05			●	●			
	CTP20FLV (M)	2	No	.472	12.0	.079	2.0	.264	6.7	20°	0.0	0.0					○	○	

Holders →S8 Tool selection guide →S4 Cutting Condition →S5

● : Stock
 ● : Stock (Newly added)
 ■ : While stocks last
 R L : Stock (Right / Left-hand only)
 R L : Stock (Right / Left-hand only, Newly added)
 M : Mirror finish
 ○ : 1-2 week delivery
 ○ : 1-2 week delivery (Newly added)
 ● : Coolant through
 (R) : 1-2 week delivery (Right / Left-hand only)
 (R) : 1-2 week delivery (Right / Left-hand only, Newly added)

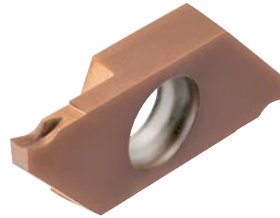
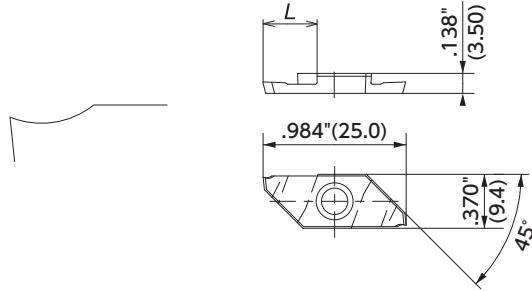
Cut-off

CTPA Series Inserts (Right-Hand)

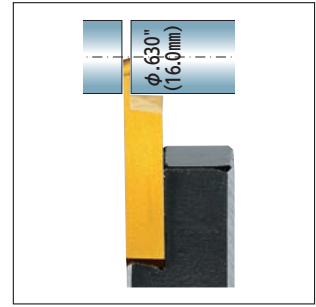
Two-sided insert

Max. Cut-off Dia. - ϕ .630"(16.0mm)

CTPA / CTPAX



CX-Chipbreaker



Right-Hand style shown

All angles shown are obtained when insert is set in the holder.

FR

Shape	Item Number	Figure	Chip-breaker	Max. Cut-off Dia. ϕD		w		L		θ	r_{e1}		Coated Carbide						Carbide	PCD
				(Inch)	(mm)	(Inch)	(mm)	(Inch)	(mm)		(Inch)	(mm)	ST4	DM4	DT4	QM3	VM1	ZM3		
Figure-1 	CTPA07FR	1	Yes	.315	8.0	.028	0.7	.177	4.5	16°	.002	0.05						●		
	CTPA10FR	1	Yes	.472	12.0	.039	1.0	.264	6.7	16°	.002	0.05				●	●	●		
	CTPA10FRFT	4	No	.472	12.0	.039	1.0	.264	6.7	20°	.002	0.05				●				
Figure-2 Flat top 	CTPA15FR	1	Yes	.630	16.0	.059	1.5	.362	9.2	16°	.002	0.05			●	●	●	●		
	CTPA15FR-CX	2	Yes-CX	.630	16.0	.059	1.5	.362	9.2	16°	.002	0.05	●	●						
Figure-3 Flat top 	CTPA15FR-TH	1	Yes	.630	16.0	.059	1.5	.362	9.2	16°	.002	0.05	●							
	CTPA15FRFT	4	No	.630	16.0	.059	1.5	.362	9.2	20°	.002	0.05				●				
Figure-4 Flat top 	CTPA20FR	1	Yes	.630	16.0	.079	2.0	.362	9.2	16°	.002	0.05			●	●	●	●		
	CTPA20FR-TH	1	Yes	.630	16.0	.079	2.0	.362	9.2	16°	.002	0.05	●							
	CTPA20FRV	3	No	.630	16.0	.079	2.0	.362	9.2	20°	0.0	0.0					○	●		

FRN

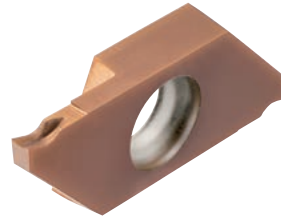
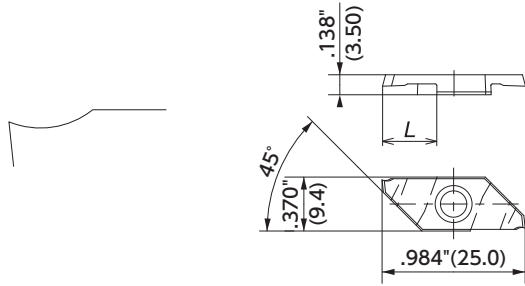
Shape	Item Number	Figure	Chip-breaker	Max. Cut-off Dia. ϕD		w		L		θ	r_{e1}		Coated Carbide						Carbide	PCD
				(Inch)	(mm)	(Inch)	(mm)	(Inch)	(mm)		(Inch)	(mm)	ST4	DM4	DT4	QM3	VM1	ZM3		
Figure-1 	CTPA07FRN	1	Yes	.315	8.0	.028	0.7	.177	4.5	0°	.002	0.05						●		
	CTPA10FRN	1	Yes	.472	12.0	.039	1.0	.264	6.7	0°	.002	0.05				●		●		
	CTPA10FRS	3	No	.630	16.0	.039	1.0	.362	9.2	0°	.002	0.05				●				
Figure-2 	CTPA15FRN	1	Yes	.630	16.0	.059	1.5	.362	9.2	0°	.002	0.05			●	●	●	●		
	CTPA15FRN-CX	2	Yes-CX	.630	16.0	.059	1.5	.362	9.2	0°	.002	0.05	●	●						
Figure-3 Flat top 	CTPA15FRN-TH	1	Yes	.630	16.0	.059	1.5	.362	9.2	0°	.002	0.05	●							
	CTPA15FRS	3	No	.630	16.0	.059	1.5	.362	9.2	0°	.002	0.05				●				
Figure-4 PCD tipped 	CTPA20FRN	1	Yes	.630	16.0	.079	2.0	.362	9.2	0°	.002	0.05			●	●	●	●		
	CTPA20FRN-TH	1	Yes	.630	16.0	.079	2.0	.362	9.2	0°	.002	0.05	●							
	CTPA20FRS	3	No	.630	16.0	.079	2.0	.362	9.2	0°	.002	0.05				●		○		
	CTPA20FRNV	3	No	.630	16.0	.079	2.0	.362	9.2	0°	0.0	0.0						●		
	CTPA20FRN-P	4	Yes	.630	16.0	.079	2.0	.362	9.2	0°	.004	0.1							○	
	CTPA30FRN	1	Yes	.630	16.0	.118	3.0	.362	9.2	0°	.002	0.05				○				

CTPA Series Inserts (Left-Hand)

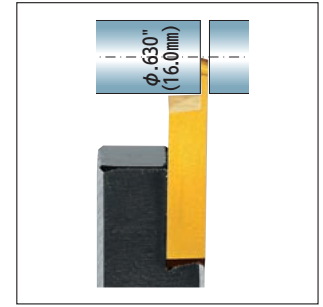
Two-sided insert

Max. Cut-off Dia. - ϕ .630" (16.0mm)

CTPA / CTPAX



CX-Chipbreaker
(Right-hand shown)



Left-Hand style shown

All angles shown are obtained when insert is set in the holder.

FLK

Shape	Item Number	Figure	Chip-breaker	Max. Cut-off Dia. ϕD		w		L		θ	$r_{\epsilon 1}$		Coated Carbide						Carbide	PCD	
				(Inch)	(mm)	(Inch)	(mm)	(Inch)	(mm)		(Inch)	(mm)	ST4	DM4	DT4	QM3	VM1	ZM3	KM1	PD1	
Figure-1 	CTPA07FLK	1	Yes	.256	6.5	.028	0.7	.177	4.5	16°	.002	0.05							●		
	CTPA10FLK	1	Yes	.433	11.0	.039	1.0	.264	6.7	16°	.002	0.05							●		
	CTPA10FLKD	1	Yes	.630	16.0	.039	1.0	.362	9.2	16°	.002	0.05							○		
	CTPA10FLKFT	3	No	.472	12.0	.039	1.0	.311	7.9	16°	.0	0.0									
Figure-2 	CTPA15FLK	1	Yes	.571	14.5	.059	1.5	.362	9.2	16°	.002	0.05			●	●	●	●			
	CTPA15FLK-CX	2	Yes-CX	.571	14.5	.059	1.5	.362	9.2	16°	.002	0.05	●	●							
	CTPA15FLK-TH	1	Yes	.571	14.5	.059	1.5	.362	9.2	16°	.002	0.05	●	●							
Figure-3 Flat top 	CTPA15FLKFT	3	No	.630	16.0	.059	1.5	.394	10.0	16°	0.0	0.0				●					
	CTPA15FLKV ^M	3	No	.571	14.5	.059	1.5	.362	9.2	20°	0.0	0.0					●				
	CTPA20FLK	1	Yes	.571	14.5	.079	2.0	.362	9.2	16°	.002	0.05				●	●	●	●		
Figure-3 Flat top 	CTPA20FLK-TH	1	Yes	.571	14.5	.079	2.0	.362	9.2	16°	.002	0.05	●	●							
	CTPA20FLKV ^M	3	No	.571	14.5	.079	2.0	.362	9.2	20°	0.0	0.0						○		●	

FLN

Shape	Item Number	Figure	Chip-breaker	Max. Cut-off Dia. ϕD		w		L		θ	$r_{\epsilon 1}$		Coated Carbide						Carbide	PCD	
				(Inch)	(mm)	(Inch)	(mm)	(Inch)	(mm)		(Inch)	(mm)	ST4	DM4	DT4	QM3	VM1	ZM3	KM1	PD1	
Figure-1 	CTPA10FLN	1	Yes	.472	12.0	.039	1.0	.264	6.7	0°	.002	0.05					●	●			
	CTPA10FLND	1	Yes	.630	16.0	.039	1.0	.362	9.2	0°	.002	0.05						○			
	CTPA10FLS	3	No	.630	16.0	.039	1.0	.362	9.2	0°	.002	0.05					●				
Figure-2 	CTPA15FLN	1	Yes	.630	16.0	.059	1.5	.362	9.2	0°	.002	0.05			●	●	○	●			
	CTPA15FLN-CX	2	Yes-CX	.630	16.0	.059	1.5	.362	9.2	0°	.002	0.05	●	●							
	CTPA15FLN-TH	1	Yes	.630	16.0	.059	1.5	.362	9.2	0°	.002	0.05	●	●							
Figure-3 Flat top 	CTPA15FLS	3	No	.630	16.0	.059	1.5	.362	9.2	0°	.002	0.05					●				
	CTPA20FLN	1	Yes	.630	16.0	.079	2.0	.362	9.2	0°	.002	0.05				●	●	○	●		
	CTPA20FLN-TH	1	Yes	.630	16.0	.079	2.0	.362	9.2	0°	.002	0.05	●	●							
Figure-4 PCD tipped 	CTPA20FLS	3	No	.630	16.0	.079	2.0	.362	9.2	0°	.002	0.05					●		○		
	CTPA20FLNV ^M	3	No	.630	16.0	.079	2.0	.362	9.2	0°	0.0	0.0								●	
	CTPA20FLN-P	4	Yes	.630	16.0	.079	2.0	.362	9.2	0°	.004	0.1									○
	CTPA30FLN	1	Yes	.630	16.0	.118	3.0	.362	9.2	0°	.002	0.05					○				

FL

Shape	Item Number	Figure	Chip-breaker	Max. Cut-off Dia. ϕD		w		L		θ	$r_{\epsilon 1}$		Coated Carbide						Carbide	PCD	
				(Inch)	(mm)	(Inch)	(mm)	(Inch)	(mm)		(Inch)	(mm)	ST4	DT4	QM3	VM1	ZM3	KM1	PD1		
Figure-1 	CTPA07FL	1	Yes	.315	8.0	.028	0.7	.177	4.5	16°	.002	0.05							○		
	CTPA10FL	1	Yes	.472	12.0	.039	1.0	.264	6.7	16°	.002	0.05							○		
Figure-2 Flat top 	CTPA15FL	1	Yes	.630	16.0	.059	1.5	.362	9.2	16°	.002	0.05			●				○		
	CTPA20FL	1	Yes	.630	16.0	.079	2.0	.362	9.2	16°	.002	0.05			●				○		
	CTPA20FLV ^M	2	No	.630	16.0	.079	2.0	.362	9.2	20°	0.0	0.0						○			

Holders →S12

Tool selection guide →S4

Cutting Condition →S5

● : Stock
● : Stock (Newly added)
■ □ □ : While stocks last

R L : Stock (Right / Left-hand only)
R L : Stock (Right / Left-hand only, Newly added)
M : Mirror finish

○ : 1-2 week delivery
○ : 1-2 week delivery (Newly added)
● : Coolant through

Ⓡ : 1-2 week delivery (Right / Left-hand only)
Ⓡ : 1-2 week delivery (Right / Left-hand only, Newly added)

CTDP (Cut Duo) Series

Max. Cut-off Dia. - ϕ .787"(20.0mm), - ϕ 1.339"(34.0mm)

CTDP

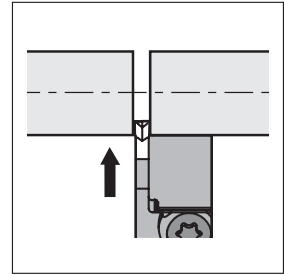
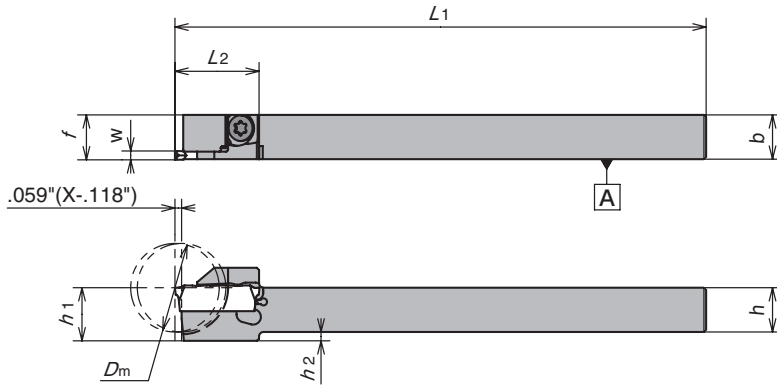


Figure-1

Right-Hand style shown

CTDP-OH2 (Coolant through)

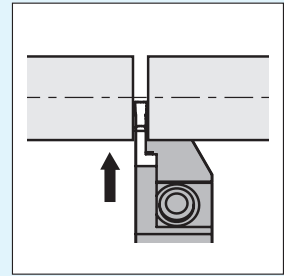
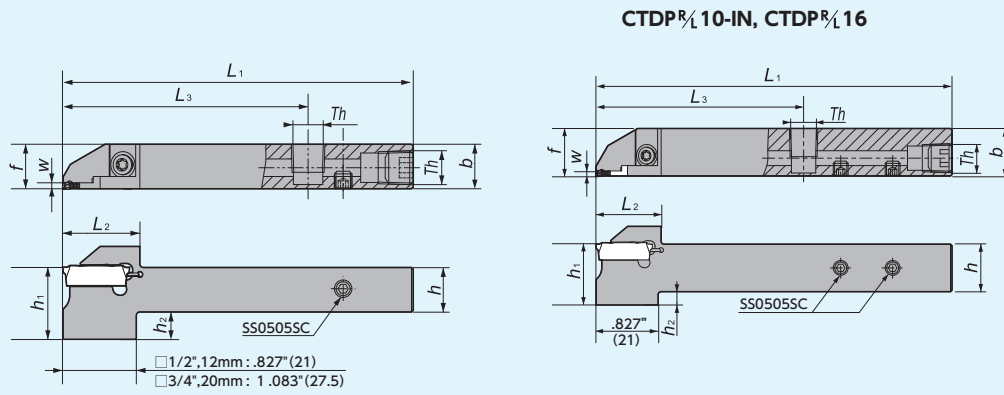


Figure-2

● Left-Hand holders are designed for Right-Hand machines

Th (Thread type)	
Inch size holder	: NPT1/8
Metric size holder	: Rc1/8(PT1/8)

Right-Hand style shown

CTDP-OH (Coolant through)

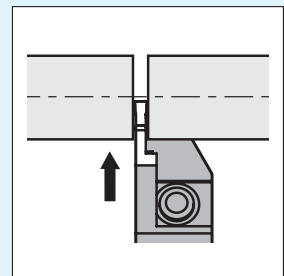
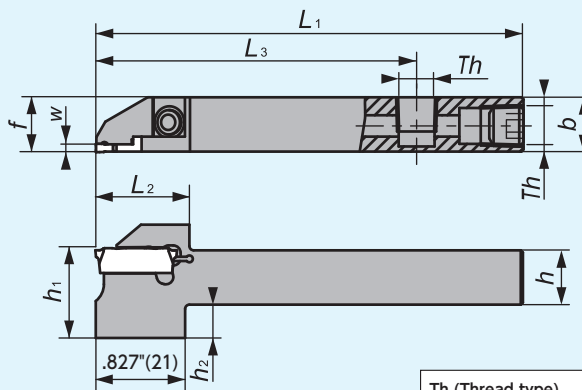


Figure-3


● Left-Hand holders are designed for Right-Hand machines

Th (Thread type)	
Inch size holder	: NPT1/8
Metric size holder	: Rc1/8(PT1/8)

Right-Hand style shown

CTDP Series - Toolholders


CTDP

Gage Insert	Item Number	Figure	Stock		Max. Cut-off Dia. D_m		w		h		b		h_1		L_1		h_2		L_2		L_3		Th	f		Clamp Screw	Wrench
			R	L	(Inch)	(mm)	(Inch)	(mm)	(Inch)	(mm)	(Inch)	(mm)	(Inch)	(mm)	(Inch)	(mm)	(Inch)	(mm)	(Inch)	(mm)	(Inch)	(mm)		(Inch)	(mm)		
	CTDP%06-IN-20D20	1	●	●	.787	20.0	.079	2.0	3/8	.394	10	3/8	4.729	120	.019	0.5	.748	19.0	—	—	.400	10.150	LRIS-4 × 12	LLR-255			
	CTDP%08-IN-20D25	1	●	●	.984	25.0	.079	2.0	1/2	1/2	1/2	4.729	120	0	0	.866	22.0	—	—	.506	12.850	LRIS-4 × 12	LLR-255				
	CTDP%10-IN-20D32	1	●	●	1.260	32.0	.079	2.0	5/8	5/8	5/8	4.729	120	0	0	1.083	27.5	—	—	.631	16.025	LRIS-5 × 10	LLR-285				
	CTDP%12-IN-20D32	1	●	●	1.260	32.0	.079	2.0	3/4	3/4	3/4	4.729	120	0	0	1.083	27.5	—	—	.756	19.200	LRIS-5 × 10	LLR-285				
	CTDP%10-20D20	1	○	○	.787	20.0	.079	2.0	.394	10	.394	10	4.724	120	.079	2	.748	19.0	—	—	.400	10.15	LRIS-4 × 12	LLR-255			
	CTDP%12-20D20	1	○	○	.787	20.0	.079	2.0	.472	12	.472	12	4.724	120	0	0	.748	19.0	—	—	.478	12.15	LRIS-4 × 12	LLR-255			
	CTDP%12-20D25	1	●	○	1.000	25.4	.079	2.0	.472	12	.472	12	4.724	120	0	0	.866	22.0	—	—	.478	12.15	LRIS-4 × 12	LLR-255			
	CTDP%16-20D25	1	●	○	1.000	25.4	.079	2.0	.630	16	.630	16	4.724	120	0	0	.866	22.0	—	—	.636	16.15	LRIS-4 × 12	LLR-255			
	CTDP%16-20D32A	1	○	○	1.260	32.0	.079	2.0	.630	16	.630	16	4.724	120	0	0	1.083	27.5	—	—	.636	16.15	LRIS5 × 10	LLR-285			
	CTDP%2012-20D32A	1	○	○	1.260	32.0	.079	2.0	.787	20	.472	12	4.724	120	0	0	1.161	29.5	—	—	.478	12.15	LRIS5 × 10	LLR-285			
	CTDP%20-20D32A	1	○	○	1.260	32.0	.079	2.0	.787	20	.787	20	4.724	120	0	0	1.161	29.5	—	—	.793	20.15	LRIS5 × 10	LLR-285			
	CTDP%08-IN-20D25-OH	3	■	■	1.000	25.4	.079	2.0	1/2	1/2	.807	20.5	3.937	100	.307	7.8	.866	22.0	2.953	75	NPT1/8	.506	12.85	LRIS-4 × 12	LLR-255		
	CTDP%08-IN-20D25-OH2	2	●	●	1.000	25.4	.079	2.0	1/2	1/2	.807	20.5	3.937	100	.307	7.8	.866	22.0	2.756	70	NPT1/8	.506	12.85	LRIS-4 × 12	LLR-255		
	CTDP%10-IN-20D25-OH	3	■	■	1.000	25.4	.079	2.0	5/8	5/8	.807	20.5	3.937	100	.182	4.625	.866	22.0	2.953	75	NPT1/8	.631	16.025	LRIS-4 × 12	LLR-255		
	CTDP%10-IN-20D25-OH2	2	●	●	1.000	25.4	.079	2.0	5/8	5/8	.807	20.5	4.729	120	.182	4.625	.866	22.0	2.756	70	NPT1/8	.631	16.025	LRIS-4 × 12	LLR-255		
	CTDP%12-20D25-OH	3	■	■	1.000	25.4	.079	2.0	.472	12	.472	12	.807	20.5	3.937	100	.335	8.5	.866	22.0	2.953	75	Rc1/8(PT1/8)	.478	12.15	LRIS-4 × 12	LLR-255
	CTDP%12-20D25-OH2	2	●	●	1.000	25.4	.079	2.0	.472	12	.472	12	.807	20.5	3.937	100	.335	8.5	.866	22.0	2.756	70	Rc1/8(PT1/8)	.478	12.15	LRIS-4 × 12	LLR-255
	CTDP%16-20D25-OH	3	■	■	1.000	25.4	.079	2.0	.630	16	.630	16	.807	20.5	3.937	100	.177	4.5	.866	22.0	2.953	75	Rc1/8(PT1/8)	.636	16.15	LRIS-4 × 12	LLR-255
CTDP%16-20D25-OH2	2	●	●	1.000	25.4	.079	2.0	.630	16	.630	16	.807	20.5	4.729	120	.177	4.5	.866	22.0	2.756	70	Rc1/8(PT1/8)	.636	16.15	LRIS-4 × 12	LLR-255	
CTDP25	CTDP%16-25D34A	1	●	○	1.339	34.0	.098	2.5	.630	16	.630	16	4.724	120	0	0	1.122	28.5	—	—	.636	16.15	CS0516LSH	LW-3			
	CTDP%2012-25D34A	1	○	○	1.339	34.0	.098	2.5	.787	20	.472	12	4.724	120	0	0	1.161	29.5	—	—	.478	12.15	CS0516LSH	LW-3			
	CTDP%20-25D34A	1	○	○	1.339	34.0	.098	2.5	.787	20	.787	20	4.724	120	0	0	1.161	29.5	—	—	.793	20.15	CS0516LSH	LW-3			
	CTDP%12-IN-25D32-OH2	2	●	●	1.260	32.0	.098	2.5	3/4	3/4	.945	24	4.729	120	.195	4.95	1.122	28.5	2.953	75	NPT1/8	.756	19.2	CS0516LSH	LW-3		
	CTDP%20-IN-25D34A-OH2	2	●	●	1.260	32.0	.098	2.5	.787	20	.787	20	4.729	120	.157	4.0	1.122	28.5	2.953	75	Rc1/8(PT1/8)	.793	20.15	CS0516LSH	LW-3		

Cut-off

CTDP Series - Inserts

CTDP

Shape	Item Number	w		L		θ	r_e		Coated Carbide		
		(Inch)	(mm)	(Inch)	(mm)		(Inch)	(mm)	DM4	QM3	TM4
 Two-sided	CTDP20N	.079	2.0	.752	19.1	0°	.002	0.05	●	●	○
	CTDP20N02	.079	2.0	.752	19.1	0°	.008	0.2	●	●	○
	CTDP20R6	.079	2.0	.752	19.1	6°	.002	0.05	●	●	○
	CTDP20R15	.079	2.0	.752	19.1	15°	.002	0.05	●	●	○
	CTDP25N	.098	2.5	.835	21.2	0°	.002	0.05	●	●	○
	CTDP25N02	.098	2.5	.835	21.2	0°	.008	0.2	●	●	○
	CTDP25R6	.098	2.5	.835	21.2	6°	.002	0.05	●	●	○
	CTDP25R15	.098	2.5	.835	21.2	15°	.002	0.05	●	●	○

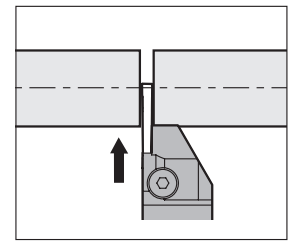
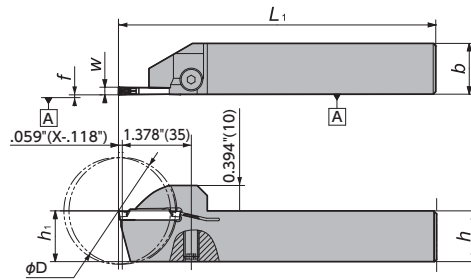
Cutting Condition → S5

● : Stock
 ● : Stock (Newly added)
 ■ □ □ □ : While stocks last
 R L : Stock (Right / Left-hand only)
 R L : Stock (Right / Left-hand only, Newly added)
 ○ : 1-2 week delivery
 ○ : 1-2 week delivery (Newly added)
 Ⓜ : Mirror finish
 Ⓜ : 1-2 week delivery (Right / Left-hand only)
 Ⓜ : 1-2 week delivery (Newly added)
 Ⓜ : 1-2 week delivery (Right / Left-hand only, Newly added)

CTWP Series

Max. Cut-off Dia. - $\phi 1.653$ "(42.0mm)

CTWP



Right-Hand style shown

CTWP Series - Toolholders

CTWP

Gage Insert	Item Number	Stock		Max. Cut-off Dia. D_m		w		h		b		h_1		L_1		f		Clamp Screw	Wrench
		R	L	(Inch)	(mm)	(Inch)	(mm)	(Inch)	(mm)	(Inch)	(mm)	(Inch)	(mm)	(Inch)	(mm)	(Inch)	(mm)		
GWPFM300	CTWP%12-IN-3D42	●	●	1.653	42.0	.118	3.0	3/4	3/4	3/4	5.0	127	.760	19.30	CS0619LSHW	LW-3			
	CTWP%16-IN-3D42	●	●	1.653	42.0	.118	3.0	1	1	1	6.0	152.4	1.010	25.65	CS0623LSHW	LW-4			
	CTWP%2012K-3D42	○	○	1.653	42.0	.118	3.0	.787	20	.472	12	.787	20	4.921	125	.482	12.25	CS0623LSHW	LW-5
	CTWP%2020K-3D42	●	●	1.653	42.0	.118	3.0	.787	20	.787	20	.787	20	4.921	125	.797	20.25	CS0623LSHW	LW-6
	CTWP%2525M-3D42	●	●	1.653	42.0	.118	3.0	.984	25	.984	25	.984	25	5.906	150	.994	25.25	CS0623LSHW	LW-7

CTWP Series - Inserts

CTWP

Shape	Item Number	w		r_e		M		L		Coated Carbide DM4
		(Inch)	(mm)	(Inch)	(mm)	(Inch)	(mm)	(Inch)	(mm)	
	GWPFM300N02-GT	.118	3.0	.008	0.2	.087	2.2	.965	24.5	●
	GWPFM300N04-GT	.118	3.0	.016	0.4	.087	2.2	.965	24.5	●

Feed IPR	CUT MAX		Competitor A (3D molded low cutting force type chipbreaker)		Competitor B (3D molded rigid type chipbreaker)	
	Chip	Surface finish	Chip	Surface finish	Chip	Surface finish
	.0012					
.0020						
.0039						
	Excellent machined surface finish		In high feed rate area, rough surface finish		In low feed rate area, rough surface finish	

Cutting condition : 330SFM WET Material : 1045 ($\phi 1.653$)
 Holder : CTWPR2020K-3D42 Insert : GWPFM300N02-GT DM4