

CTDP (Cut Duo) Series

Max. Cut-off Dia. - ϕ .787"(20.0mm), - ϕ 1.339"(34.0mm)

CTDP

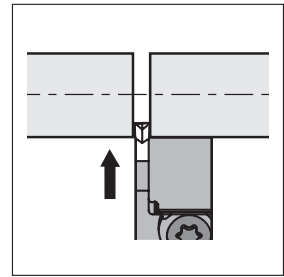
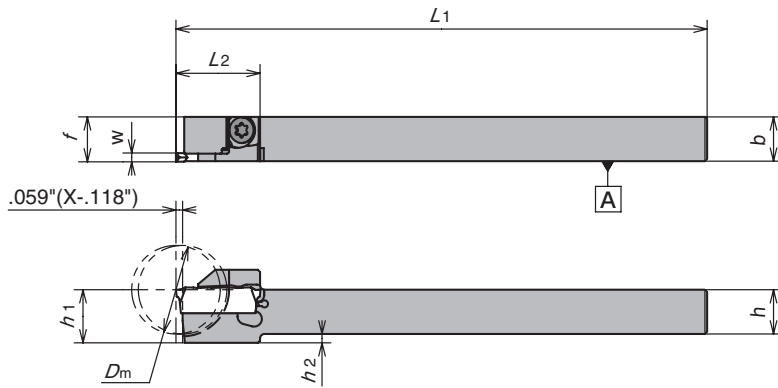
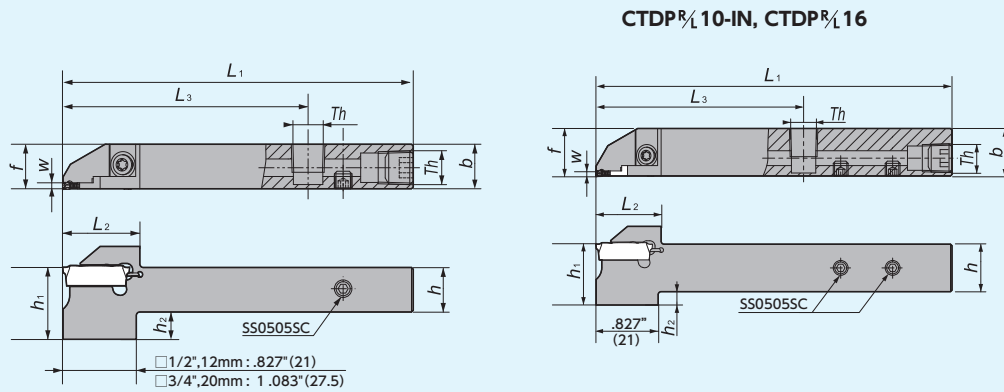


Figure-1

Right-Hand style shown

CTDP-OH2 (Coolant through)



CTDP $\frac{1}{2}$ " 10-IN, CTDP $\frac{1}{2}$ " 16

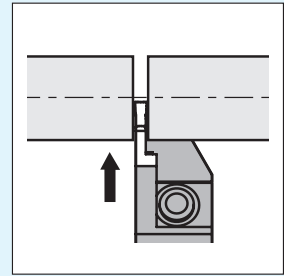


Figure-2

• Left-Hand holders are designed for Right-Hand machines

Th (Thread type)	
Inch size holder	: NPT1/8
Metric size holder	: Rc1/8(PT1/8)

Right-Hand style shown

CTDP-OH (Coolant through)

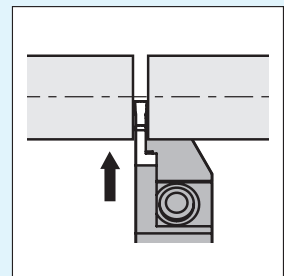
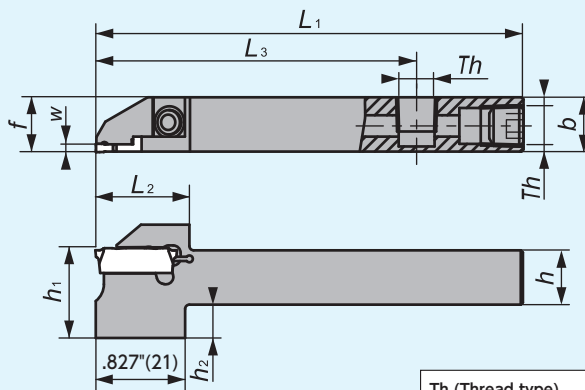


Figure-3


• Left-Hand holders are designed for Right-Hand machines

Th (Thread type)	
Inch size holder	: NPT1/8
Metric size holder	: Rc1/8(PT1/8)

Right-Hand style shown

CTDP Series - Toolholders


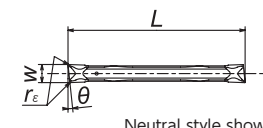
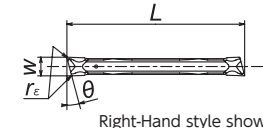
CTDP

Gage Insert	Item Number	Figure	Stock		Max. Cut-off Dia. D_m		w		h		b		h_1		L_1		h_2		L_2		L_3		Th	f		Clamp Screw	Wrench
			R	L	(Inch)	(mm)	(Inch)	(mm)	(Inch)	(mm)	(Inch)	(mm)	(Inch)	(mm)	(Inch)	(mm)	(Inch)	(mm)	(Inch)	(mm)	(Inch)	(mm)		(Inch)	(mm)		
	CTDP%06-IN-20D20	1	●	●	.787	20.0	.079	2.0	3/8	.394	10	3/8	4.729	120	.019	0.5	.748	19.0	—	—	.400	10.150	LRIS-4 × 12	LLR-255			
	CTDP%08-IN-20D25	1	●	●	.984	25.0	.079	2.0	1/2	1/2	1/2	4.729	120	0	0	.866	22.0	—	—	.506	12.850	LRIS-4 × 12	LLR-255				
	CTDP%10-IN-20D32	1	●	●	1.260	32.0	.079	2.0	5/8	5/8	5/8	4.729	120	0	0	1.083	27.5	—	—	.631	16.025	LRIS-5 × 10	LLR-285				
	CTDP%12-IN-20D32	1	●	●	1.260	32.0	.079	2.0	3/4	3/4	3/4	4.729	120	0	0	1.083	27.5	—	—	.756	19.200	LRIS-5 × 10	LLR-285				
	CTDP%10-20D20	1	○	○	.787	20.0	.079	2.0	.394	10	.394	10	4.724	120	.079	2	.748	19.0	—	—	.400	10.15	LRIS-4 × 12	LLR-255			
	CTDP%12-20D20	1	○	○	.787	20.0	.079	2.0	.472	12	.472	12	4.724	120	0	0	.748	19.0	—	—	.478	12.15	LRIS-4 × 12	LLR-255			
	CTDP%12-20D25	1	●	○	1.000	25.4	.079	2.0	.472	12	.472	12	4.724	120	0	0	.866	22.0	—	—	.478	12.15	LRIS-4 × 12	LLR-255			
	CTDP%16-20D25	1	●	○	1.000	25.4	.079	2.0	.630	16	.630	16	4.724	120	0	0	.866	22.0	—	—	.636	16.15	LRIS-4 × 12	LLR-255			
	CTDP%16-20D32A	1	○	○	1.260	32.0	.079	2.0	.630	16	.630	16	4.724	120	0	0	1.083	27.5	—	—	.636	16.15	LRIS5 × 10	LLR-285			
	CTDP%2012-20D32A	1	○	○	1.260	32.0	.079	2.0	.787	20	.472	12	4.724	120	0	0	1.161	29.5	—	—	.478	12.15	LRIS5 × 10	LLR-285			
	CTDP%20-20D32A	1	○	○	1.260	32.0	.079	2.0	.787	20	.787	20	4.724	120	0	0	1.161	29.5	—	—	.793	20.15	LRIS5 × 10	LLR-285			
	CTDP%08-IN-20D25-OH	3	■	■	1.000	25.4	.079	2.0	1/2	1/2	.807	20.5	3.937	100	.307	7.8	.866	22.0	2.953	75	NPT1/8	.506	12.85	LRIS-4 × 12	LLR-255		
	CTDP%08-IN-20D25-OH2	2	●	●	1.000	25.4	.079	2.0	1/2	1/2	.807	20.5	3.937	100	.307	7.8	.866	22.0	2.756	70	NPT1/8	.506	12.85	LRIS-4 × 12	LLR-255		
	CTDP%10-IN-20D25-OH	3	■	■	1.000	25.4	.079	2.0	5/8	5/8	.807	20.5	3.937	100	.182	4.625	.866	22.0	2.953	75	NPT1/8	.631	16.025	LRIS-4 × 12	LLR-255		
	CTDP%10-IN-20D25-OH2	2	●	●	1.000	25.4	.079	2.0	5/8	5/8	.807	20.5	4.729	120	.182	4.625	.866	22.0	2.756	70	NPT1/8	.631	16.025	LRIS-4 × 12	LLR-255		
	CTDP%12-20D25-OH	3	■	■	1.000	25.4	.079	2.0	.472	12	.472	12	.807	20.5	3.937	100	.335	8.5	.866	22.0	2.953	75	Rc1/8(PT1/8)	.478	12.15	LRIS-4 × 12	LLR-255
	CTDP%12-20D25-OH2	2	●	●	1.000	25.4	.079	2.0	.472	12	.472	12	.807	20.5	3.937	100	.335	8.5	.866	22.0	2.756	70	Rc1/8(PT1/8)	.478	12.15	LRIS-4 × 12	LLR-255
	CTDP%16-20D25-OH	3	■	■	1.000	25.4	.079	2.0	.630	16	.630	16	.807	20.5	3.937	100	.177	4.5	.866	22.0	2.953	75	Rc1/8(PT1/8)	.636	16.15	LRIS-4 × 12	LLR-255
CTDP%16-20D25-OH2	2	●	●	1.000	25.4	.079	2.0	.630	16	.630	16	.807	20.5	4.729	120	.177	4.5	.866	22.0	2.756	70	Rc1/8(PT1/8)	.636	16.15	LRIS-4 × 12	LLR-255	
CTDP25	CTDP%16-25D34A	1	●	○	1.339	34.0	.098	2.5	.630	16	.630	16	4.724	120	0	0	1.122	28.5	—	—	.636	16.15	CS0516LSH	LW-3			
	CTDP%2012-25D34A	1	○	○	1.339	34.0	.098	2.5	.787	20	.472	12	4.724	120	0	0	1.161	29.5	—	—	.478	12.15	CS0516LSH	LW-3			
	CTDP%20-25D34A	1	○	○	1.339	34.0	.098	2.5	.787	20	.787	20	4.724	120	0	0	1.161	29.5	—	—	.793	20.15	CS0516LSH	LW-3			
	CTDP%12-IN-25D32-OH2	2	●	●	1.260	32.0	.098	2.5	3/4	3/4	.945	24	4.729	120	.195	4.95	1.122	28.5	2.953	75	NPT1/8	.756	19.2	CS0516LSH	LW-3		
	CTDP%20-IN-25D34A-OH2	2	●	●	1.260	32.0	.098	2.5	.787	20	.787	20	4.729	120	.157	4.0	1.122	28.5	2.953	75	Rc1/8(PT1/8)	.793	20.15	CS0516LSH	LW-3		

Cut-off

CTDP Series - Inserts

CTDP

Shape	Item Number	w		L		θ	r_e		Coated Carbide		
		(Inch)	(mm)	(Inch)	(mm)		(Inch)	(mm)	DM4	QM3	TM4
 <p>Two-sided</p> <div style="display: flex; justify-content: space-around;"> <div style="text-align: center;">  <p>Neutral style shown</p> </div> <div style="text-align: center;">  <p>Right-Hand style shown</p> </div> </div>	CTDP20N	.079	2.0	.752	19.1	0°	.002	0.05	●	●	○
	CTDP20N02	.079	2.0	.752	19.1	0°	.008	0.2	●	●	○
	CTDP20R6	.079	2.0	.752	19.1	6°	.002	0.05	●	●	○
	CTDP20R15	.079	2.0	.752	19.1	15°	.002	0.05	●	●	○
	CTDP25N	.098	2.5	.835	21.2	0°	.002	0.05	●	●	○
	CTDP25N02	.098	2.5	.835	21.2	0°	.008	0.2	●	●	○
	CTDP25R6	.098	2.5	.835	21.2	6°	.002	0.05	●	●	○
	CTDP25R15	.098	2.5	.835	21.2	15°	.002	0.05	●	●	○

Cutting Condition **→S5**

● : Stock
 ● : Stock (Newly added)
 ■ □ □ □ : While stocks last
 R L : Stock (Right / Left-hand only)
 R L : Stock (Right / Left-hand only, Newly added)
 □ □ □ : Mirror finish
 ○ : 1-2 week delivery
 ○ : 1-2 week delivery (Newly added)
 ● : Coolant through
 (R/L) : 1-2 week delivery (Right / Left-hand only)
 (R/L) : 1-2 week delivery (Right / Left-hand only, Newly added)