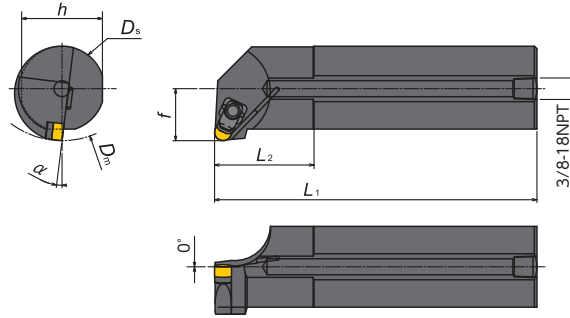
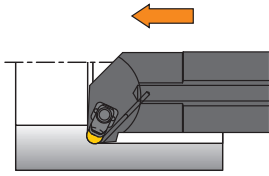


## RN.. Inserts

**S-CRGN (Coolant through)**

Min. Bore Diameter  $\phi 3.0"$  -



### Inch Holders

| Item Number                  | Stock |   | Min. Bore Dia.<br>$D_m$ (inch) | Dimensions (inch) |      |       |       |       | Insert* |                    |
|------------------------------|-------|---|--------------------------------|-------------------|------|-------|-------|-------|---------|--------------------|
|                              | R     | L |                                | $D_s$             | $h$  | $L_1$ | $f$   | $L_2$ |         | $\alpha$           |
| S50-CRGN $\frac{3}{8}$ -32-4 | ●     |   | 3.0                            | 2.0               | 1.87 | 16.0  | 1.281 | 2.362 | 7       | RNG 45<br>(RNG 43) |
| S50-CRGN $\frac{3}{8}$ -40-4 | ●     |   | 3.5                            | 2.5               | 2.38 | 16.0  | 1.531 | 2.950 | 7       |                    |

### Spare Parts

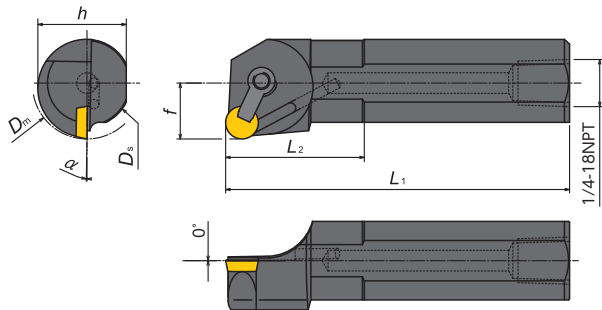
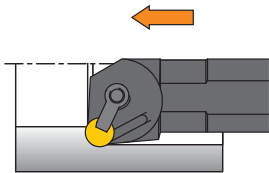
|          | Insert           | Clamp | Blade | Shim                    | Shim Screw | Wrench |
|----------|------------------|-------|-------|-------------------------|------------|--------|
| Standard | RNG 45<br>RNG 43 | 2413  | 9414  | IRSN 43<br>IRSN 45 (OP) | 1161       | 5104   |

Inserts → E10 • E26

## RP.. Inserts

**S-CRGP (Coolant through)**

Min. Bore Diameter  $\phi 1.25"$  -



### Inch Holders

| Item Number                  | Stock |   | Min. Bore Dia.<br>$D_m$ (inch) | Dimensions (inch) |      |       |      |       | Insert |          |
|------------------------------|-------|---|--------------------------------|-------------------|------|-------|------|-------|--------|----------|
|                              | R     | L |                                | $D_s$             | $h$  | $L_1$ | $f$  | $L_2$ |        | $\alpha$ |
| S12-CRGP $\frac{1}{4}$ -16-3 | ●     |   | 1.25                           | 1.0               | 0.89 | 12.0  | .640 | 1.574 | 1      | RPG 32   |

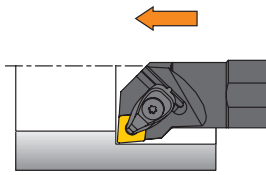
### Spare Parts

|          | Insert | Clamp | Diff Screw | Wrench |
|----------|--------|-------|------------|--------|
| Standard | RPG 32 | CL-7  | XNS-36     | 5124   |

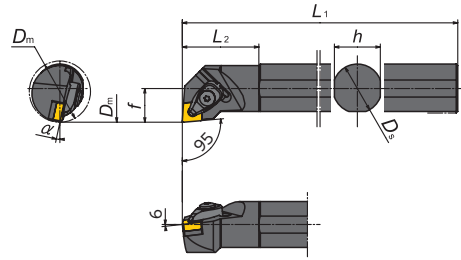
Inserts → E11

## ■ CN.. Inserts

### S-WCLN



Min. Bore Diameter  $\phi 1.299''$  -



• Right hand shown

#### ● Metric Holders

| Item Number              | Stock |   | Min. Bore Dia.<br>$D_m$ (mm) | Dimensions (mm) |     |       |     |       | Insert* |  |
|--------------------------|-------|---|------------------------------|-----------------|-----|-------|-----|-------|---------|--|
|                          | R     | L |                              | $D_s$           | $h$ | $L_1$ | $f$ | $L_2$ |         | $\alpha$   |
| S25R-WCLN $\frac{1}{12}$ | ○     | ○ | 33                           | 25              | 24  | 200   | 17  | 40    | 14      | CNGA 43<br>(CNGA 45)<br>(CNG 43)<br>(CNG 45)<br>(CNGX 43)<br>(CNGX 45) |
| S32S-WCLN $\frac{1}{12}$ | ○     | ○ | 40                           | 32              | 30  | 250   | 22  | 50    | 12      |  |
| S40T-WCLN $\frac{1}{12}$ | ○     | ○ | 50                           | 40              | 38  | 300   | 27  | 60    | 10      |  |
| S50U-WCLN $\frac{1}{12}$ | ○     | ○ | 63                           | 50              | 47  | 350   | 35  | 65    | 8       |  |

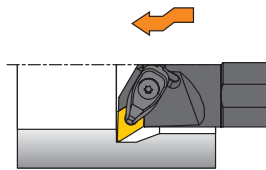
#### ● Spare Parts

|          | Insert   | Clamp                             | Shim  | Clamp Screw   | Wrench<br>(for Clamp Screw) | Shim Screw   | Wrench<br>(for Shim Screw)                   | Spring  |
|----------|--|-----------------------------------|---|---|-----------------------------|--|--|---------|
| Standard | CNGA 43<br>CNGA 45<br>CNG 43<br>CNG 45<br>CNGX 43<br>CNGX 45 | DC6CN<br>TC6CN (OP)<br>HC6CN (OP) | ACN423×1<br>—<br>ACN423×1<br>—<br>ACN423×1<br>— | AOS-6*26W<br>(S25R-WCLN $\frac{1}{12}$ )<br>AOS-6*30W<br>(Others) | LLR-T20                     | FSS16-3.0*8<br>—<br>FSS16-3.0*8<br>—<br>FSS16-3.0*8<br>— | LLR-T10<br>—<br>LLR-T10<br>—<br>LLR-T10<br>— | ASGL6-D |

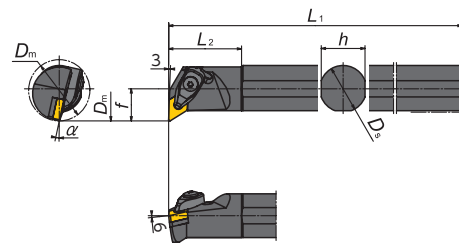
Inserts (CNG) → E3  
 Inserts (CNGA) → E4 · E5 · E23 · E35  
 Inserts (CNGX) → E6

## ■ DN.. Inserts

### S-WDUN



Min. Bore Diameter  $\phi 1.654''$  -



• Right hand shown

#### ● Metric Holders

| Item Number              | Stock |   | Min. Bore Dia.<br>$D_m$ (mm) | Dimensions (mm) |     |       |     |       | Insert* |                                   |
|--------------------------|-------|---|------------------------------|-----------------|-----|-------|-----|-------|---------|-----------------------------------|
|                          | R     | L |                              | $D_s$           | $h$ | $L_1$ | $f$ | $L_2$ |         | $\alpha$                          |
| S32S-WDUN $\frac{1}{15}$ | ○     | ○ | 42                           | 32              | 30  | 250   | 22  | 50    | 12      | DNGA 43<br>(DNGA 45)<br>(DNGX 45) |
| S40T-WDUN $\frac{1}{15}$ | ○     | ○ | 50                           | 40              | 38  | 300   | 27  | 60    | 10      |                                   |

#### ● Spare Parts

|          | Insert                        | Clamp               | Shim               | Clamp Screw  | Wrench<br>(for Clamp Screw) | Shim Screw            | Wrench<br>(for Shim Screw) | Spring  |
|----------|-------------------------------|---------------------|--------------------|--|-----------------------------|-----------------------|----------------------------|---------|
| Standard | DNGA 43<br>DNGA 45<br>DNGX 45 | DC6DN<br>HC6DN (OP) | ADN423×1<br>—<br>— | AOS-6*26W<br>(S32S-WDUN $\frac{1}{15}$ )<br>AOS-6*30W<br>(S40T-WDUN $\frac{1}{15}$ ) | LLR-T20                     | FSS16-3.0*8<br>—<br>— | LLR-T10<br>—<br>—          | ASGL6-D |

Inserts (DNGA) → E7 · E25 · E38  
 Inserts (DNGX) → E8

● : Stock  
 ● : Stock (Newly added)  
 ■□□□ : While stocks last

R L : Stock (Right / Left-hand only)  
 R L : Stock (Right / Left-hand only, Newly added)  
 M : Mirror finish

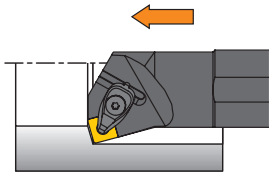
○ : 1-2 week delivery  
 ○ : 1-2 week delivery (Newly added)  
 ● : Coolant through

(R)L : 1-2 week delivery (Right / Left-hand only)  
 (R)L : 1-2 week delivery (Right / Left-hand only, Newly added)

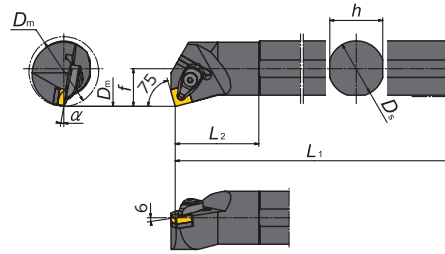
# ID Tooling

## SN.. Inserts

### S-WSKN



Min. Bore Diameter  $\phi$  1.969" -



• Right hand shown

#### Metric Holder

| Item Number                | Stock |   | Min. Bore Dia.<br>$D_m$ (mm) | Dimensions (mm) |     |       |     |       | Insert* |   |
|----------------------------|-------|---|------------------------------|-----------------|-----|-------|-----|-------|---------|---|
|                            | R     | L |                              | $D_s$           | $h$ | $L_1$ | $f$ | $L_2$ |         | $\alpha$  |
| S40T-WSKN $\frac{R}{L}$ 12 | ○     | ○ | 50                           | 40              | 38  | 300   | 27  | 60    | 10      | SNGA 43<br>(SNGA 45)<br>(SNG 43)<br>(SNG 45)<br>(SNGX 45) |

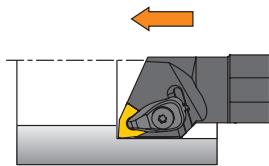
#### Spare Parts

|          | Insert  | Clamp                             | Shim                                | Clamp Screw | Wrench<br>(for Clamp Screw) | Shim Screw                                | Wrench<br>(for Shim Screw)        | Spring  |
|----------|---|-----------------------------------|-------------------------------------|-------------|-----------------------------|---|-----------------------------------|---------|
| Standard | SNGA 43<br>SNGA 45<br>SNG 43<br>SNG 45<br>SNGX 45 | DC6CN<br>TC6CN (OP)<br>HC6CN (OP) | ASN423×1<br>—<br>ASN423×1<br>—<br>— | AOS-6*30W   | LLR-T20                     | FSS16-3.0*8<br>—<br>FSS16-3.0*8<br>—<br>— | LLR-T10<br>—<br>LLR-T10<br>—<br>— | ASGL6-D |

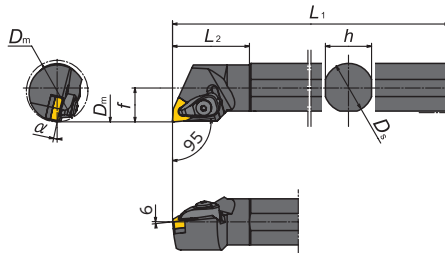
Inserts (SNG) → E13  
Inserts (SNGA) → E14 • E27 • E39  
Inserts (SNGX) → E15

## WN.. Inserts

### S-WWLN



Min. Bore Diameter  $\phi$  1.299" -



• Right hand shown

#### Metric Holders

| Item Number                | Stock |   | Min. Bore Dia.<br>$D_m$ (mm) | Dimensions (mm) |     |       |     |       | Insert |                      |
|----------------------------|-------|---|------------------------------|-----------------|-----|-------|-----|-------|--------|----------------------|
|                            | R     | L |                              | $D_s$           | $h$ | $L_1$ | $f$ | $L_2$ |        | $\alpha$             |
| S25R-WWLN $\frac{R}{L}$ 08 | ○     | ○ | 33                           | 25              | 24  | 200   | 17  | 40    | 14     | WNGA 43<br>(WNGA 45) |
| S32S-WWLN $\frac{R}{L}$ 08 | ○     | ○ | 40                           | 32              | 30  | 250   | 22  | 50    | 12     |                      |
| S40T-WWLN $\frac{R}{L}$ 08 | ○     | ○ | 50                           | 40              | 38  | 300   | 27  | 60    | 10     |                      |

#### Spare Parts

|          | Insert             | Clamp | Shim            | Clamp Screw | Wrench<br>(for Clamp Screw) | Shim Screw       | Wrench<br>(for Shim Screw) | Spring  |
|----------|--------------------|-------|-----------------|-------------|-----------------------------|------------------|----------------------------|---------|
| Standard | WNGA 43<br>WNGA 45 | DC6CN | AWN423-W×1<br>— | AOS-6*30W   | LLR-T20                     | FSS16-3.0*8<br>— | LLR-T10<br>—               | ASGL6-D |

Inserts → E21 • E44

\* Optional spare parts are required to use the inserts in parentheses. See spare parts lists for detail.