

DS Sleeve

Features

- Prevents coolant and chips from damaging live tool stations
- Accepts DS Series holders to perform various back working
- Designed exclusively for 22mm(.866") and 34mm(1.339") round shank stations
- Compatible with 16mm(.630") / 22mm(.886") round shank DS Series holders

WATCH ON
YouTube



First Recommendation for Turning

✗

Coolant and chips sneak in.

When DS holders are used directly in live tool stations, coolant and chips sneak in from the flat of holders to damage the live stations

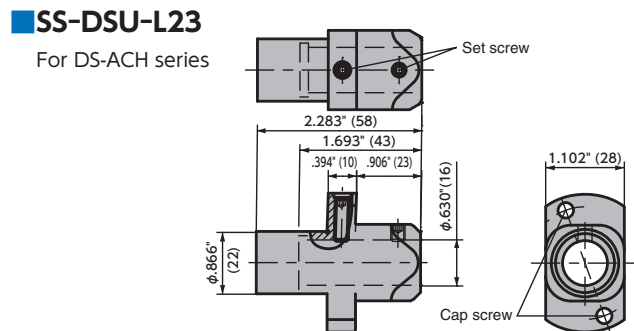
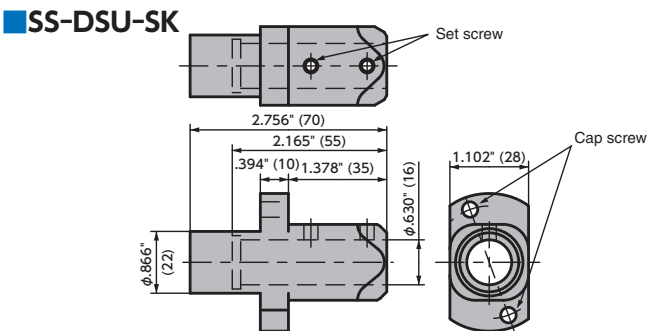
✓

How it works

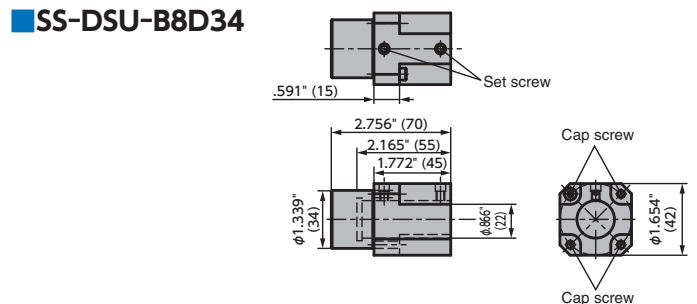
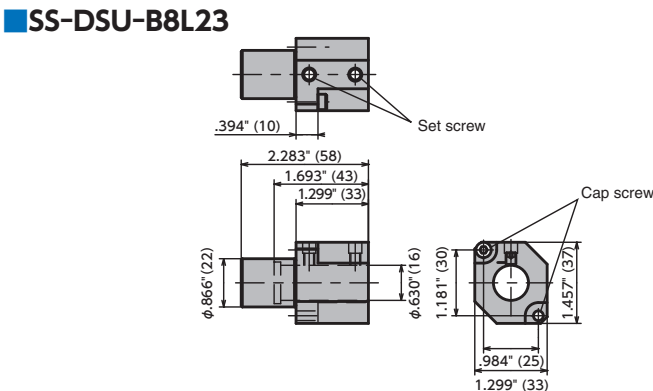
Stop coolant and chips from damaging live tool stations.

By using the DS Sleeve, you can use the DS Series holders without any worry about damaging live stations

For Back 4-spindle unit



For Back 8-spindle unit



Item number	Stock	Spare parts				Coment
		Cap screw	Wrench	Set screw	Wrench	
SS-DSU-SK	●	CS0520	LW-4	SS0506	LW-2.5	
SS-DSU-L23	●	CS0520	LW-4	SS0506 SS0515	LW-2.5	For DS-ACH Series
SS-DSU-B8L23	●	CS0420	LW-3	SS0506	LW-2.5	Can take DS-ACH Series
SS-DSU-B8D34	●	CS0425	LW-3	SS0506	LW-2.5	

● : Stock ○ : 1-2 week delivery